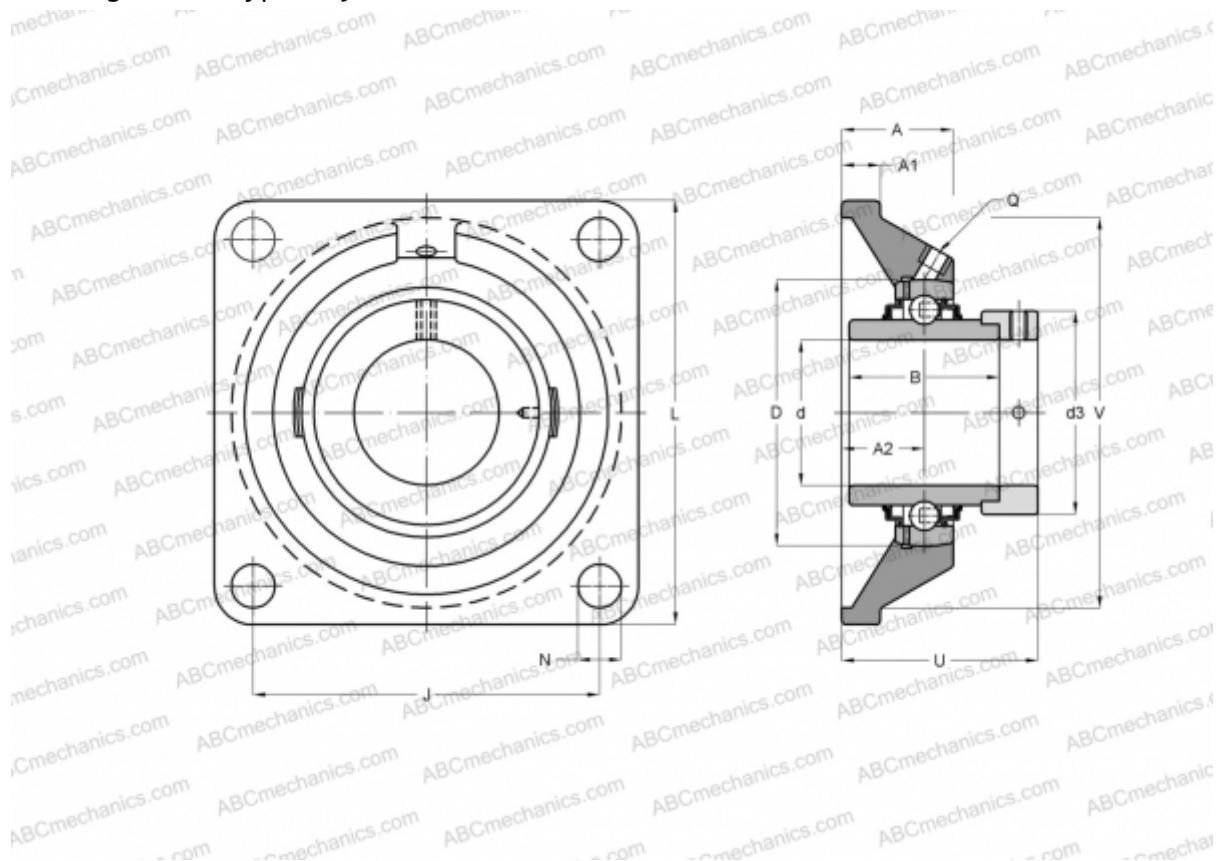


RCJO90 INA

Ball bearing units

TYPE: Housing units, Four-bolt flanged housing units, Cast iron housing, Radial insert ball bearing with eccentric locking collar, Type RCJO (INA)



Technical specification

DIMENSIONS, MM

d	90,000
D	190,000
B	101,000
L	280,000
A	85,000
J	216,000
A1	28,500
A2	48,500
N	28,000
d3	132,000
U	114,000
V	230,000
Q	Rp1/8

WEIGHT, KG 21,600

Bearing	GNE90-KRR-B
Housing	GG.CJO18

MANUFACTURER

[INA](#)

CALCULATION DATA

Basic dynamic load rating, C	143,000 kN
Basic static load rating, Co	107,000 kN