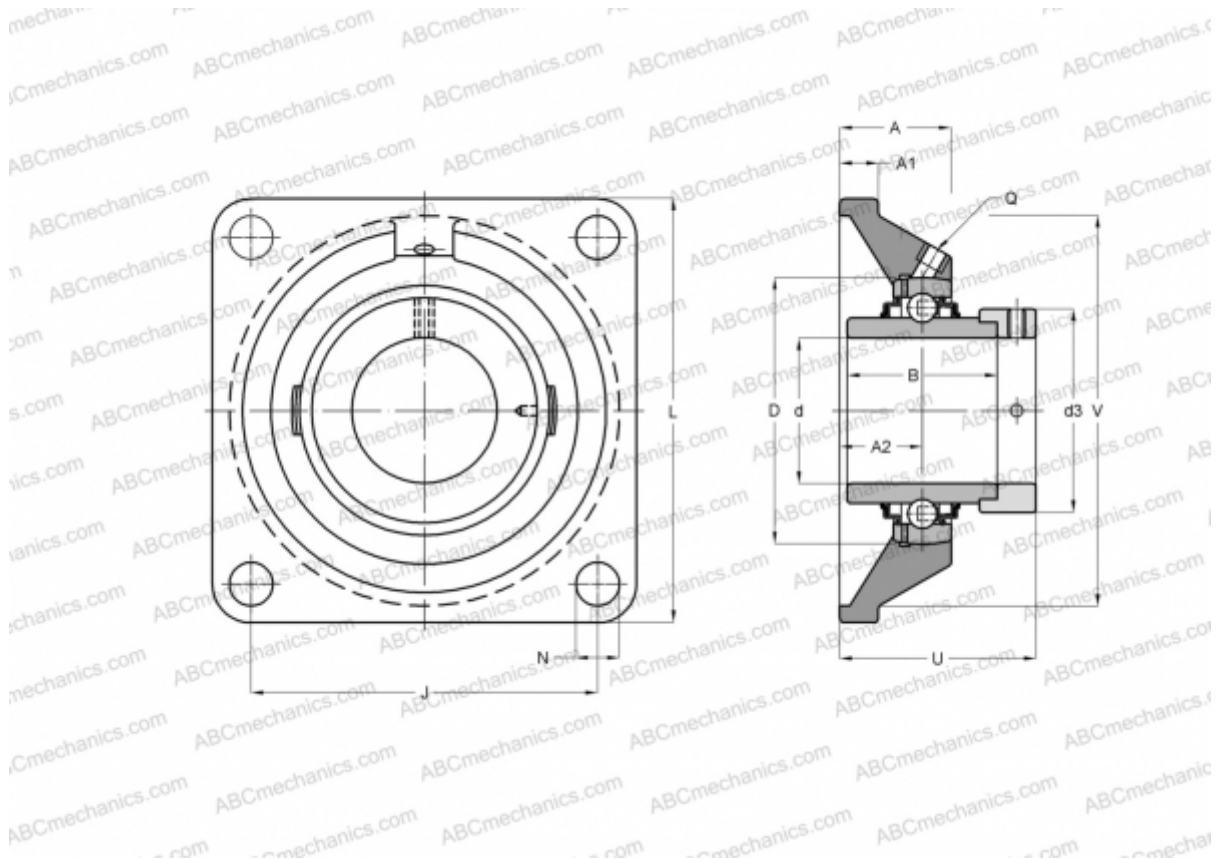


RCJO100 INA

Ball bearing units

TYPE: Housing units, Four-bolt flanged housing units, Cast iron housing, Radial insert ball bearing with eccentric locking collar, Type RCJO (INA)



Technical specification

DIMENSIONS, MM

d	100,000
D	215,000
B	109,500
L	310,000
A	97,000
J	242,000
A1	32,000
A2	55,000
N	32,000
d3	145,000
U	125,000
V	268,000
Q	Rp1/8

Bearing	GNE100-KRR-B
Housing	GG.CJO20

MANUFACTURER

[INA](#)

CALCULATION DATA

Basic dynamic load rating, C	174,000 kN
Basic static load rating, Co	140,000 kN

WEIGHT, KG 33,600