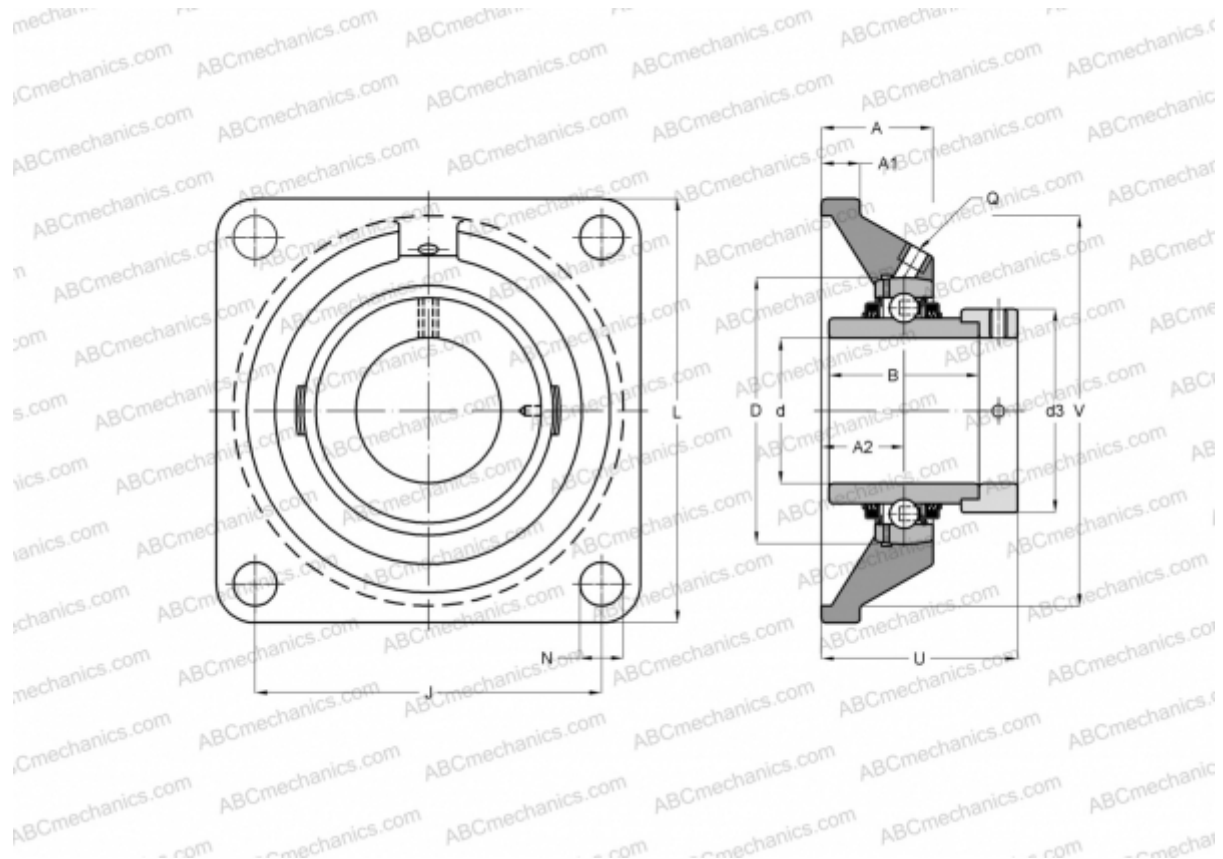


TCJ60-N INA

Ball bearing units

TYPE: Housing units, Four-bolt flanged housing units, Cast iron housing, Radial insert ball bearing with eccentric locking collar, Type TCJ (INA)



Technical specification

DIMENSIONS, MM

d	60,000
D	110,000
B	77,900
L	175,000
A	46,000
J	143,000
A1	16,000
A2	34,000
N	18,000
d3	84,000
U	80,900
V	150,000
Q	Rp1/8

WEIGHT, KG 4,210

Bearing	GE60-KTT-B
Housing	GG.CJ12-N

MANUFACTURER

[INA](#)

CALCULATION DATA

Basic dynamic load rating, C	52,000 kN
Basic static load rating, Co	36,000 kN