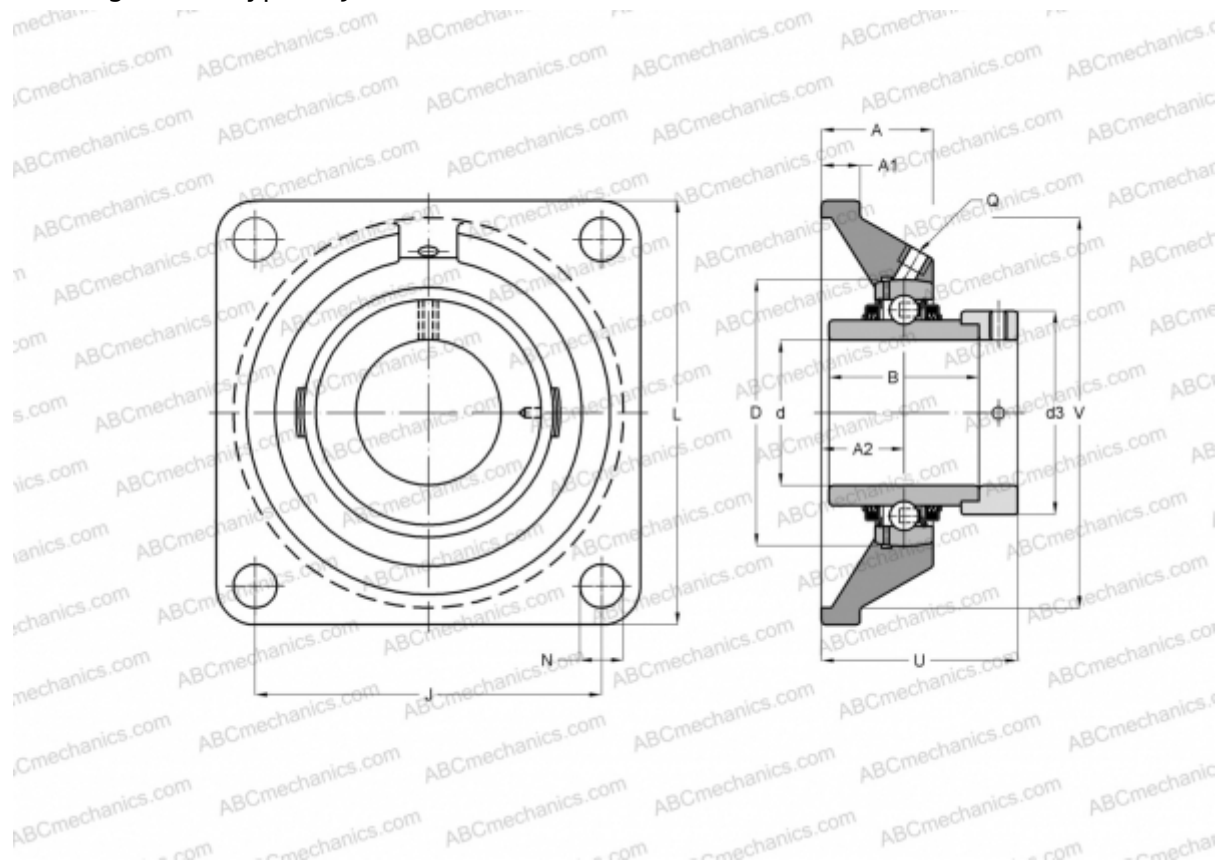


## TCJ65-214 INA

Ball bearing units

TYPE: Housing units, Four-bolt flanged housing units, Cast iron housing, Radial insert ball bearing with eccentric locking collar, Type TCJ (INA)



### Technical specification

#### DIMENSIONS, MM

d	65,000
D	125,000
B	66,000
L	188,000
A	52,000
J	150,000
A1	18,000
A2	38,000
N	18,000
d3	96,000
U	82,600
V	165,000
Q	Rp1/8

**WEIGHT, KG** 6,110

Bearing	GE65-214-KTT-
Housing	GG.CJ14

#### MANUFACTURER

[INA](#)

#### CALCULATION DATA

Basic dynamic load rating, C	62,000 kN
Basic static load rating, Co	44,000 kN