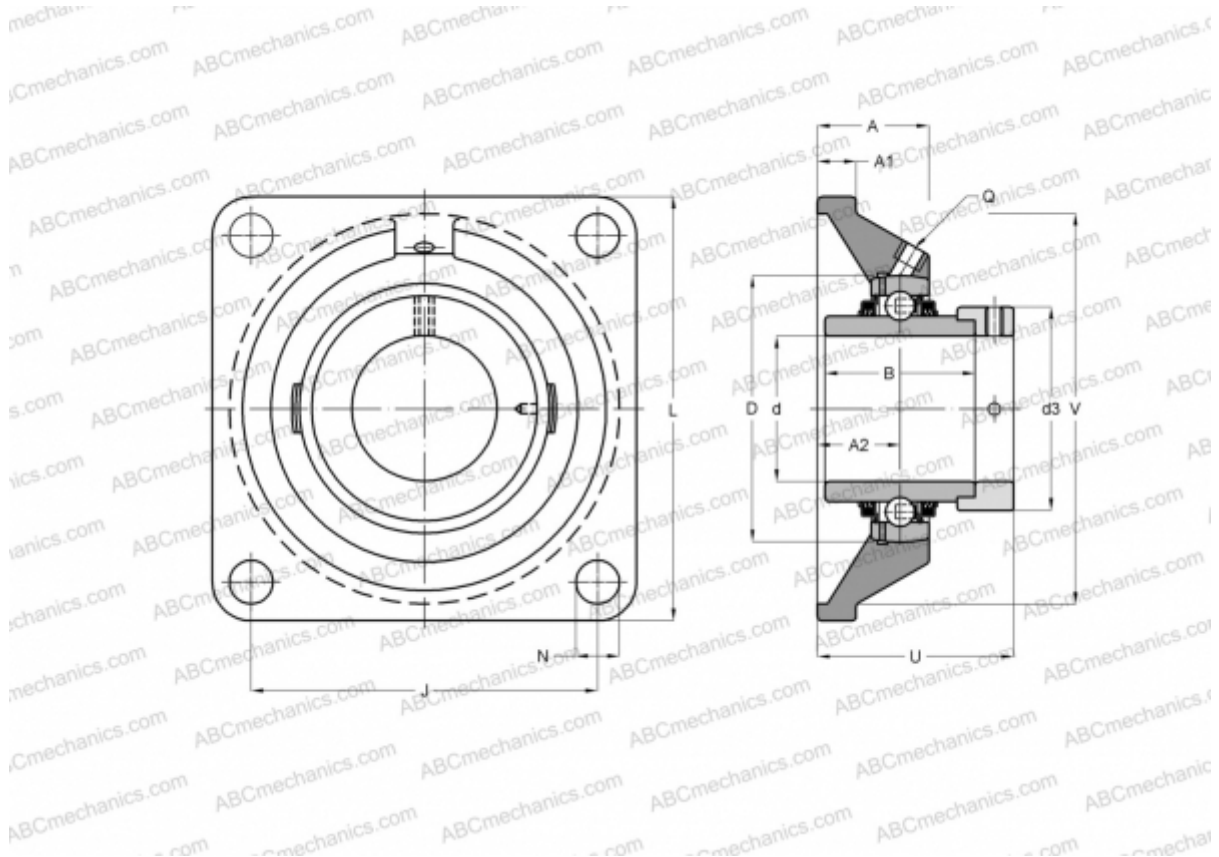


TCJ70 INA

Ball bearing units

TYPE: Housing units, Four-bolt flanged housing units, Cast iron housing, Radial insert ball bearing with eccentric locking collar, Type TCJ (INA)



Technical specification

DIMENSIONS, MM

| | |
|----|---------|
| d | 70,000 |
| D | 125,000 |
| B | 66,000 |
| L | 188,000 |
| A | 52,000 |
| J | 150,000 |
| A1 | 18,000 |
| A2 | 38,000 |
| N | 18,000 |
| d3 | 96,000 |
| U | 82,600 |
| V | 165,000 |
| Q | Rp1/8 |

WEIGHT, KG 5,850

| | |
|---------|------------|
| Bearing | GE70-KTT-B |
| Housing | GG.CJ14 |

MANUFACTURER

[INA](#)

CALCULATION DATA

| | |
|------------------------------|-----------|
| Basic dynamic load rating, C | 62,000 kN |
| Basic static load rating, Co | 44,000 kN |