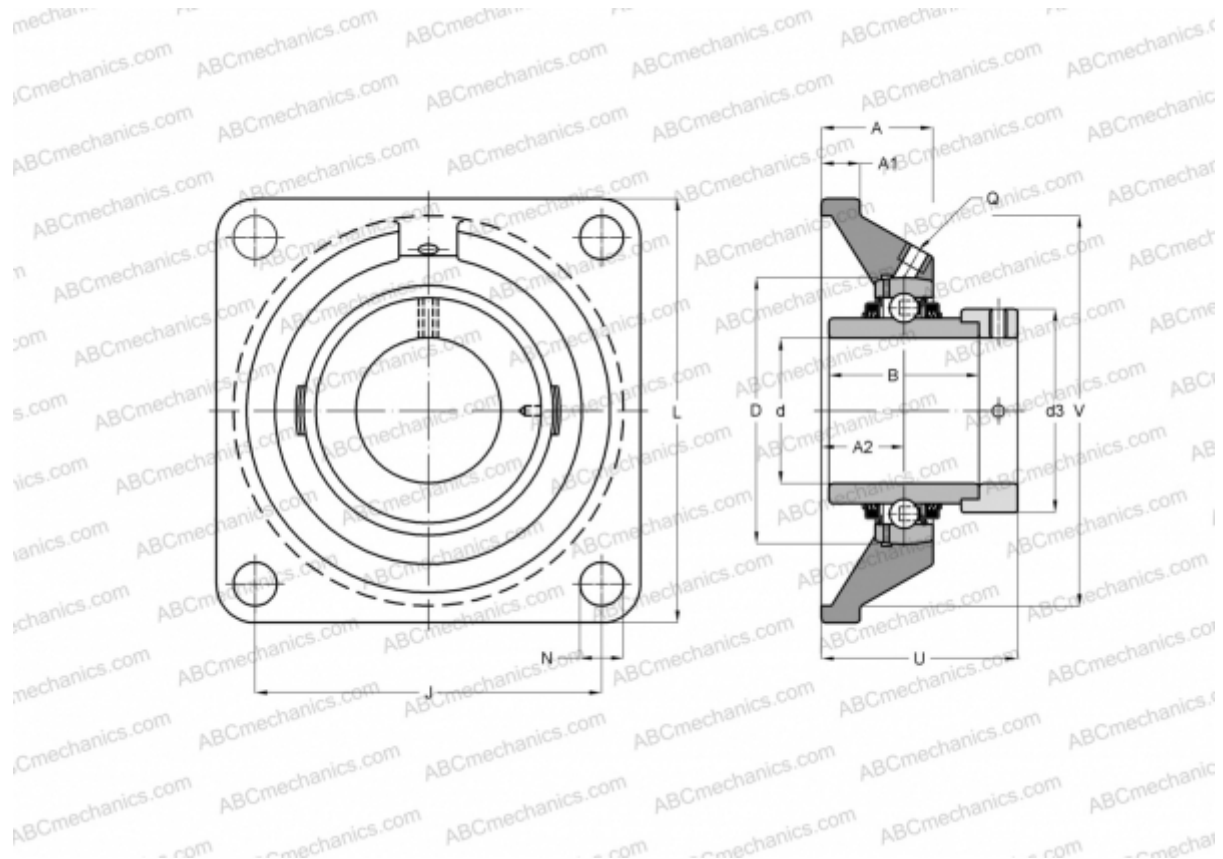


TCJ75 INA

Ball bearing units

TYPE: Housing units, Four-bolt flanged housing units, Cast iron housing, Radial insert ball bearing with eccentric locking collar, Type TCJ (INA)



Technical specification

DIMENSIONS, MM

d	75,000
D	130,000
B	67,000
L	197,000
A	55,800
J	153,000
A1	20,000
A2	41,300
N	23,000
d3	100,000
U	86,900
V	170,000
Q	Rp1/8

WEIGHT, KG 6,500

Bearing	GE75-KTT-B
Housing	GG.CJ15

MANUFACTURER

[INA](#)

CALCULATION DATA

Basic dynamic load rating, C	62,000 kN
Basic static load rating, Co	44,500 kN