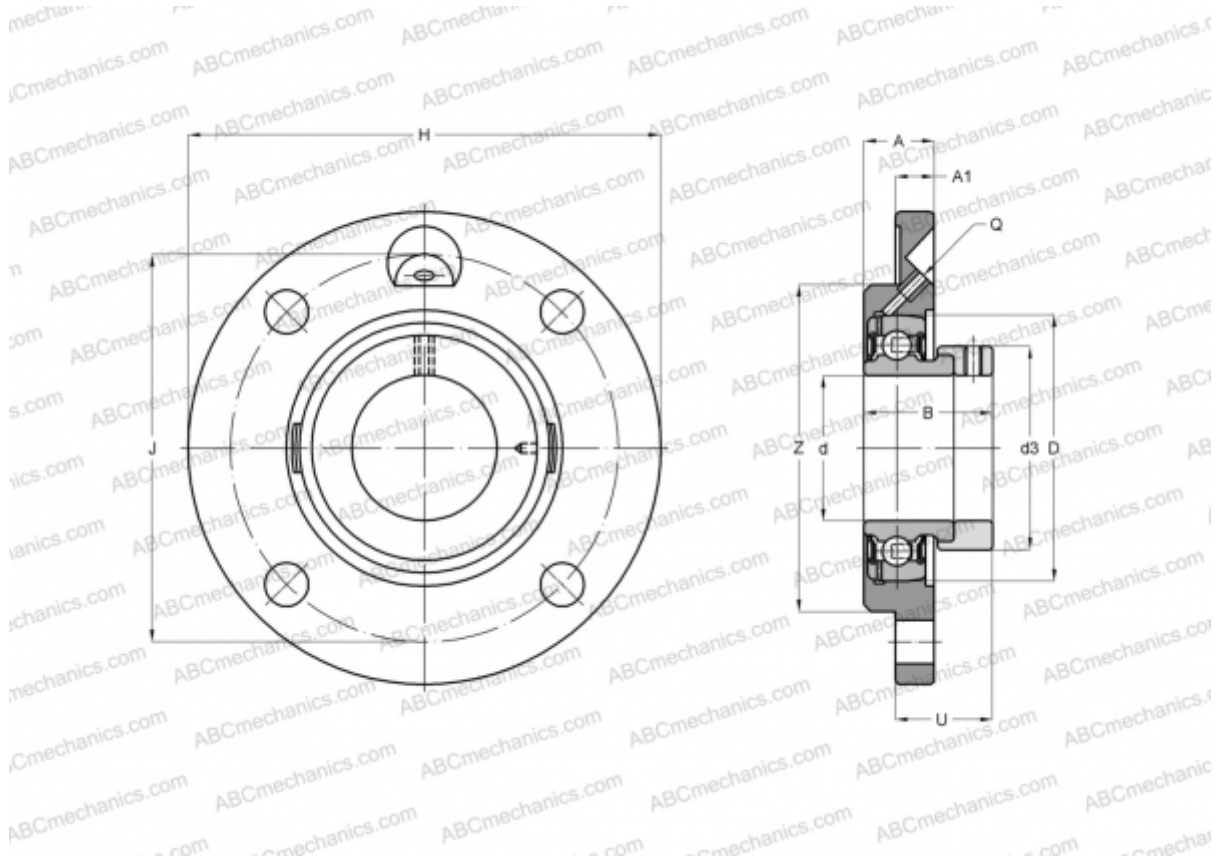


PME55 INA

Ball bearing units

TYPE: Housing units, Four-bolt flanged housing units, Cast iron housing, Radial insert ball bearing with eccentric locking collar, Centring spigot, type PME (INA)



Technical specification

DIMENSIONS, MM

d	55,000
D	100,000
B	48,400
H	185,000
A	27,500
J	150,000
A1	15,000
N	18,000
d3	76,000
U	36,400
Z	125,000
Q	M6

WEIGHT, KG 2,760

Bearing	GRAE55-NPP-B
Housing	GG.ME11

MANUFACTURER

[INA](#)

CALCULATION DATA

Basic dynamic load rating, C	43,500 kN
Basic static load rating, Co	29,000 kN