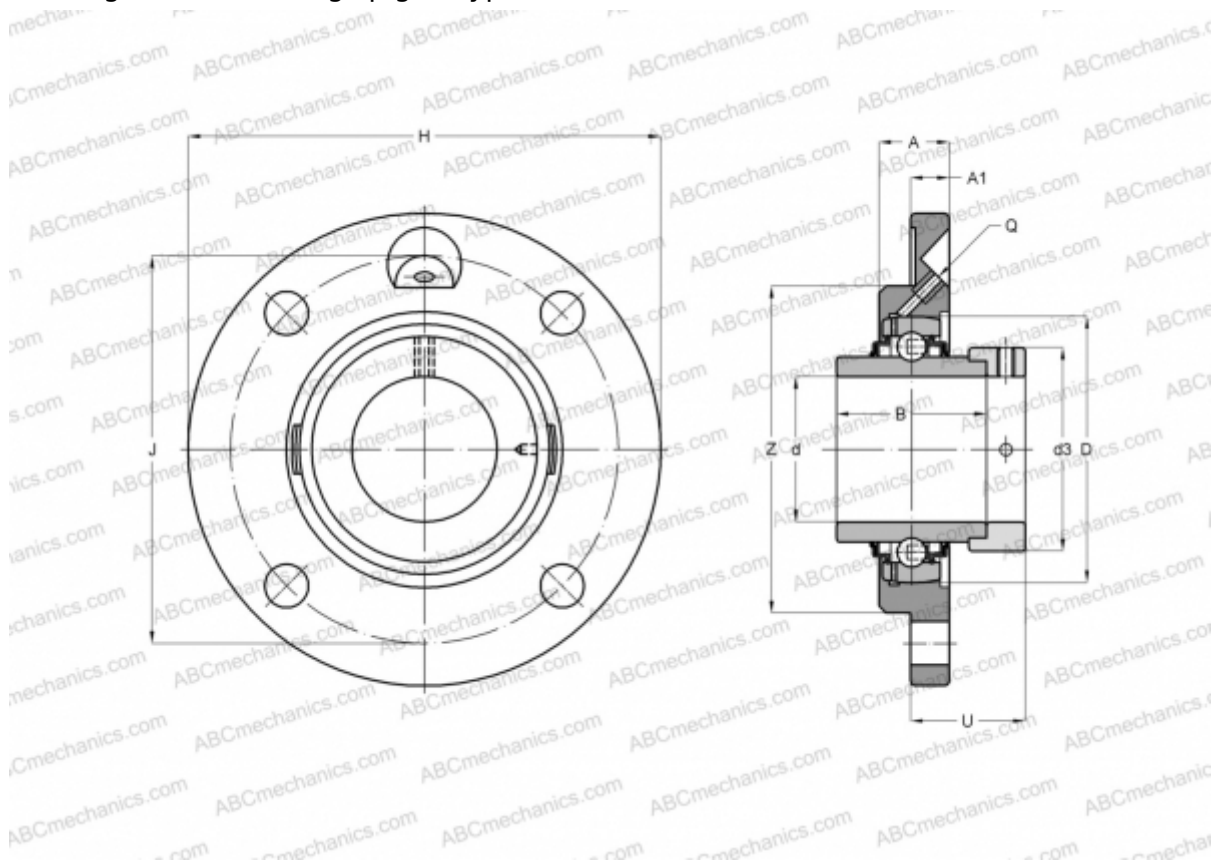


RME120 INA

Ball bearing units

TYPE: Housing units, Four-bolt flanged housing units, Cast iron housing, Radial insert ball bearing with eccentric locking collar, Centring spigot, type RME (INA)



Technical specification

DIMENSIONS, MM

d	120,000
D	215,000
B	81,000
H	350,000
A	40,000
J	295,000
A1	24,000
N	27,000
d3	152,000
U	56,500
Z	250,000
Q	Rp1/8

WEIGHT, KG 17,430

Bearing	GE120-KRR-B
Housing	GG.ME24

MANUFACTURER

[INA](#)

CALCULATION DATA

Basic dynamic load rating, C	155,000 kN
Basic static load rating, Co	131,000 kN