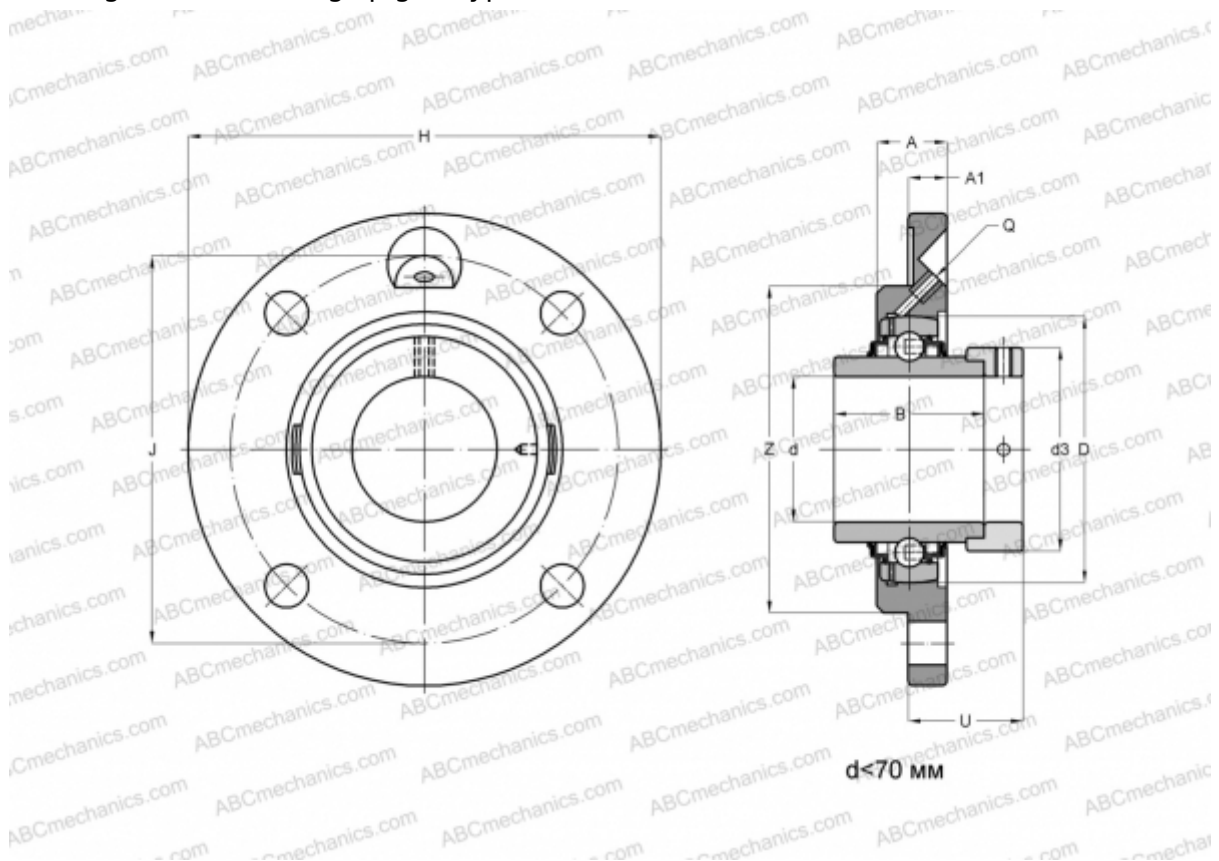


## RMEO35 INA

Ball bearing units

TYPE: Housing units, Four-bolt flanged housing units, Cast iron housing, Radial insert ball bearing with eccentric locking collar, Centring spigot, type RMEO (INA)



### Technical specification

#### DIMENSIONS, MM

d	35,000
D	80,000
B	51,600
H	174,000
A	25,000
J	141,000
A1	16,000
N	19,000
d3	55,000
U	25,400
Z	100,000
Q	M6

**WEIGHT, KG** 2,400

Bearing	GGNE35-KRR-B
Housing	GG.MEO07

#### MANUFACTURER

[INA](#)

#### CALCULATION DATA

Basic dynamic load rating, C	36,500 kN
Basic static load rating, Co	20,900 kN