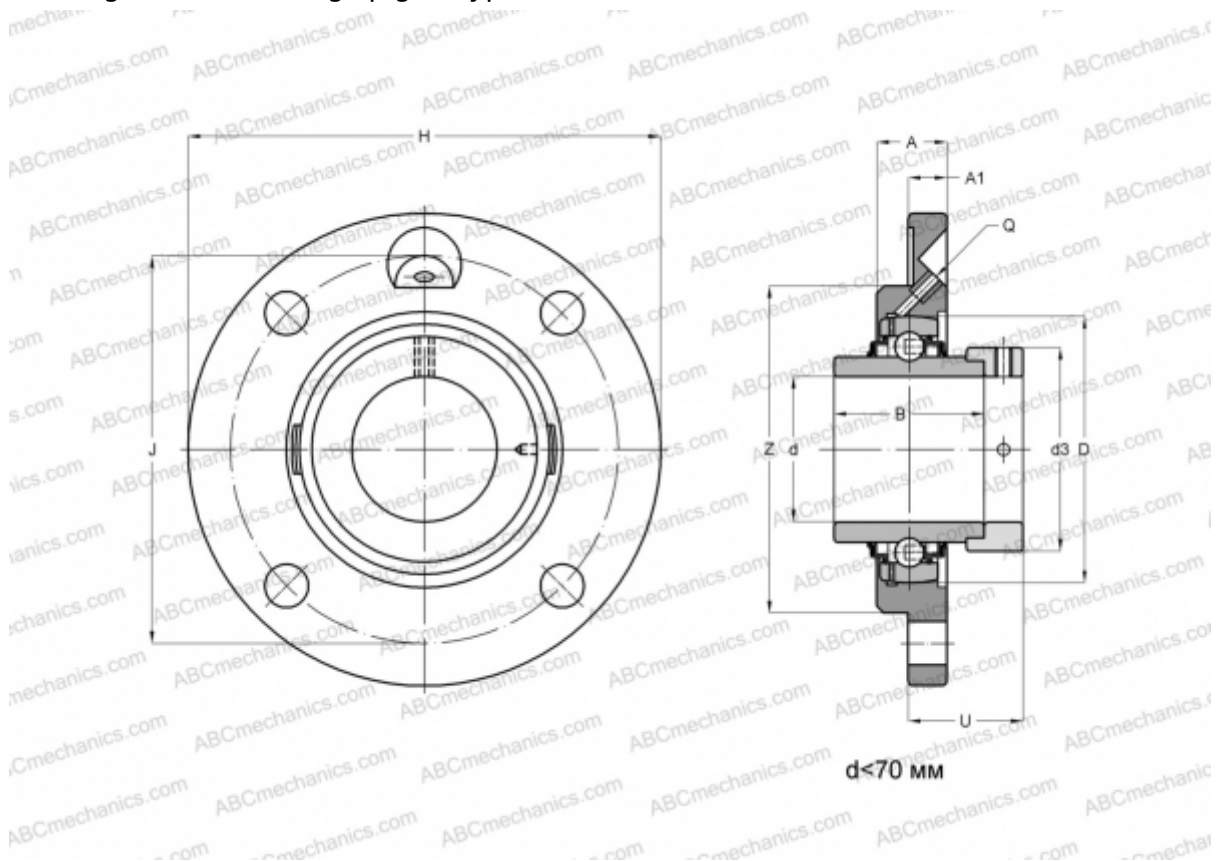


## RMEO50 INA

Ball bearing units

TYPE: Housing units, Four-bolt flanged housing units, Cast iron housing, Radial insert ball bearing with eccentric locking collar, Centring spigot, type RMEO (INA)



### Technical specification

#### DIMENSIONS, MM

d	50,000
D	110,000
B	66,800
H	230,000
A	31,000
J	187,000
A1	19,000
N	23,000
d3	75,800
U	44,600
Z	140,000
Q	Rp1/8

**WEIGHT, KG** 4,600

Bearing	GNE50-KRR-B
Housing	GG.MEO10

#### MANUFACTURER

[INA](#)

#### CALCULATION DATA

Basic dynamic load rating, C	62,000 kN
Basic static load rating, Co	38,000 kN