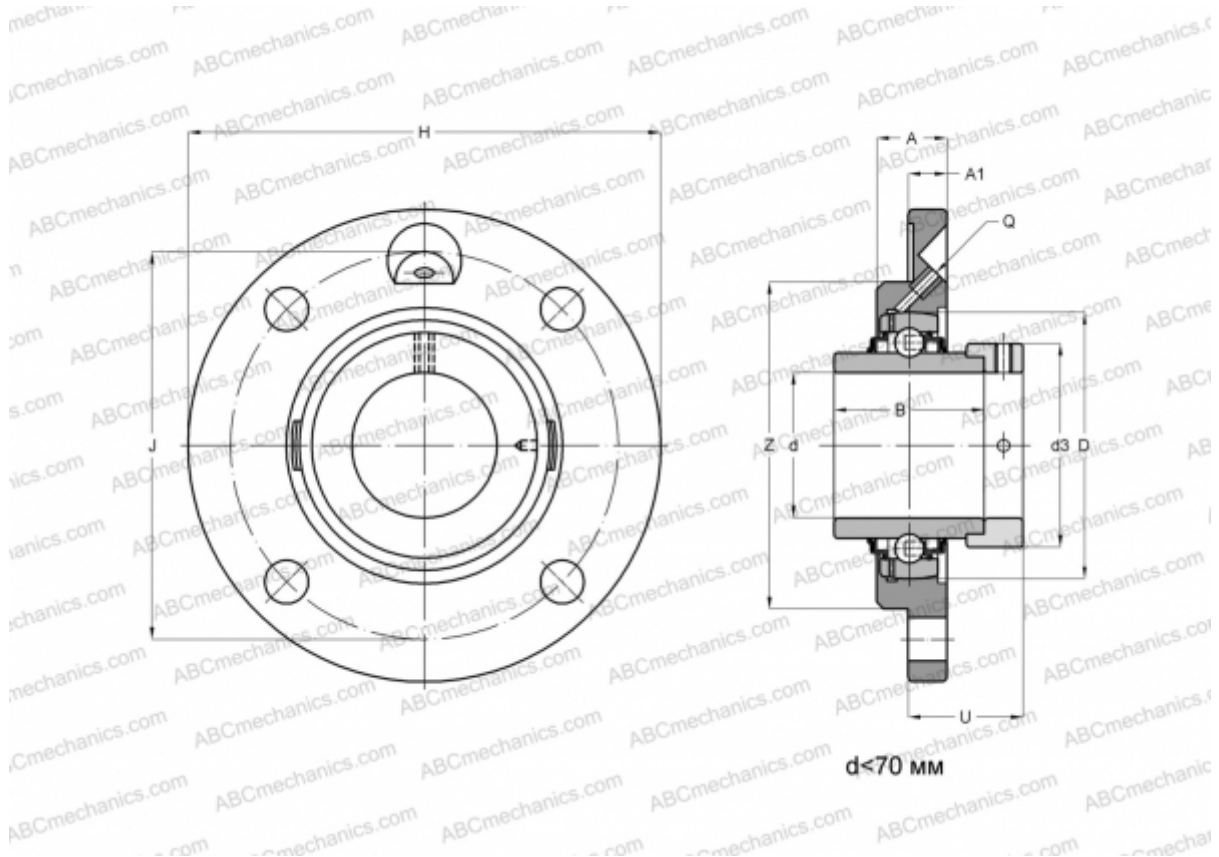


## RMEO60 INA

Ball bearing units

TYPE: Housing units, Four-bolt flanged housing units, Cast iron housing, Radial insert ball bearing with eccentric locking collar, Centring spigot, type RMEO (INA)



### Technical specification

#### DIMENSIONS, MM

|    |         |
|----|---------|
| d  | 60,000  |
| D  | 130,000 |
| B  | 68,400  |
| H  | 256,000 |
| A  | 36,000  |
| J  | 212,000 |
| A1 | 22,000  |
| N  | 23,000  |
| d3 | 89,000  |
| U  | 47,900  |
| Z  | 160,000 |
| Q  | Rp1/8   |

#### WEIGHT, KG

6,000

|         |             |
|---------|-------------|
| Bearing | GNE60-KRR-B |
| Housing | GG.MEO12    |

#### MANUFACTURER

[INA](#)

#### CALCULATION DATA

|                              |           |
|------------------------------|-----------|
| Basic dynamic load rating, C | 82,000 kN |
| Basic static load rating, Co | 52,000 kN |