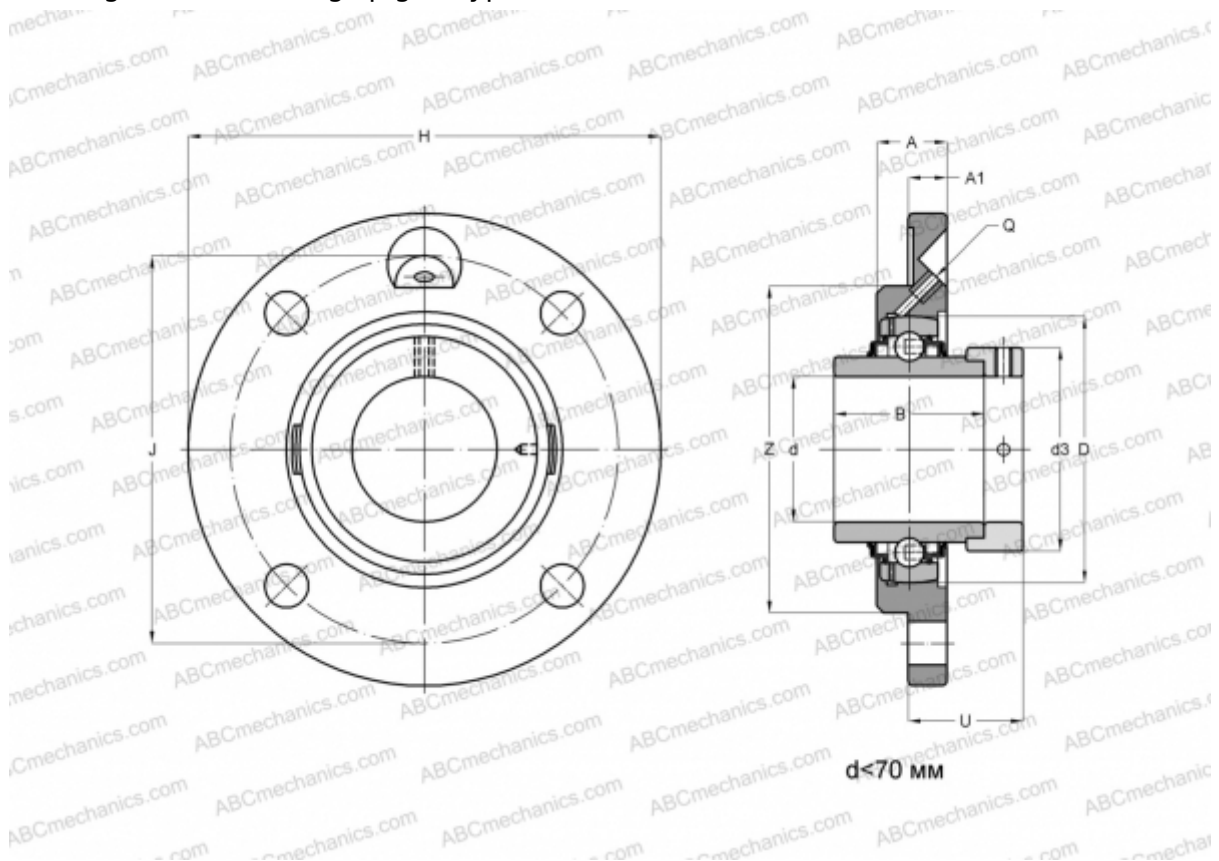


## RME070 INA

Ball bearing units

TYPE: Housing units, Four-bolt flanged housing units, Cast iron housing, Radial insert ball bearing with eccentric locking collar, Centring spigot, type RME0 (INA)



### Technical specification

#### DIMENSIONS, MM

d	70,000
D	150,000
B	75,500
H	300,000
A	43,000
J	252,000
A1	25,000
N	25,000
d3	102,000
U	49,900
Z	185,000
Q	Rp1/8

**WEIGHT, KG** 9,000

Bearing	GNE70-KRR-B
Housing	GG.MEO14

#### MANUFACTURER

[INA](#)

#### CALCULATION DATA

Basic dynamic load rating, C	104,000 kN
Basic static load rating, Co	68,000 kN