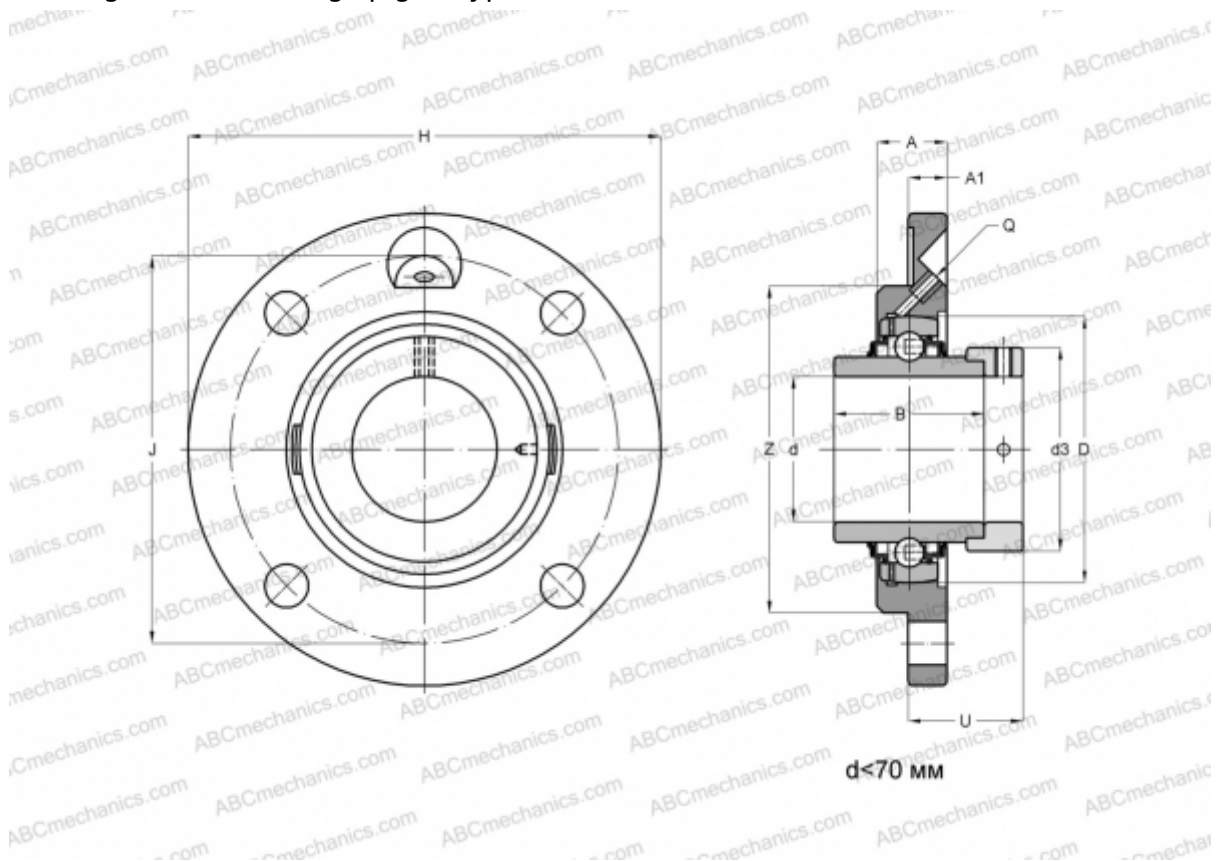


## RMEO80 INA

Ball bearing units

TYPE: Housing units, Four-bolt flanged housing units, Cast iron housing, Radial insert ball bearing with eccentric locking collar, Centring spigot, type RMEO (INA)



### Technical specification

#### DIMENSIONS, MM

d	80,000
D	170,000
B	93,600
H	275,000
A	50,000
J	235,000
A1	22,000
N	22,000
d3	118,000
U	56,700
Z	200,000
Q	Rp1/8

**WEIGHT, KG** 12,700

Bearing	GNE80-KRR-B-
Housing	GG.MEO16

#### MANUFACTURER

[INA](#)

#### CALCULATION DATA

Basic dynamic load rating, C	123,000 kN
Basic static load rating, Co	87,000 kN