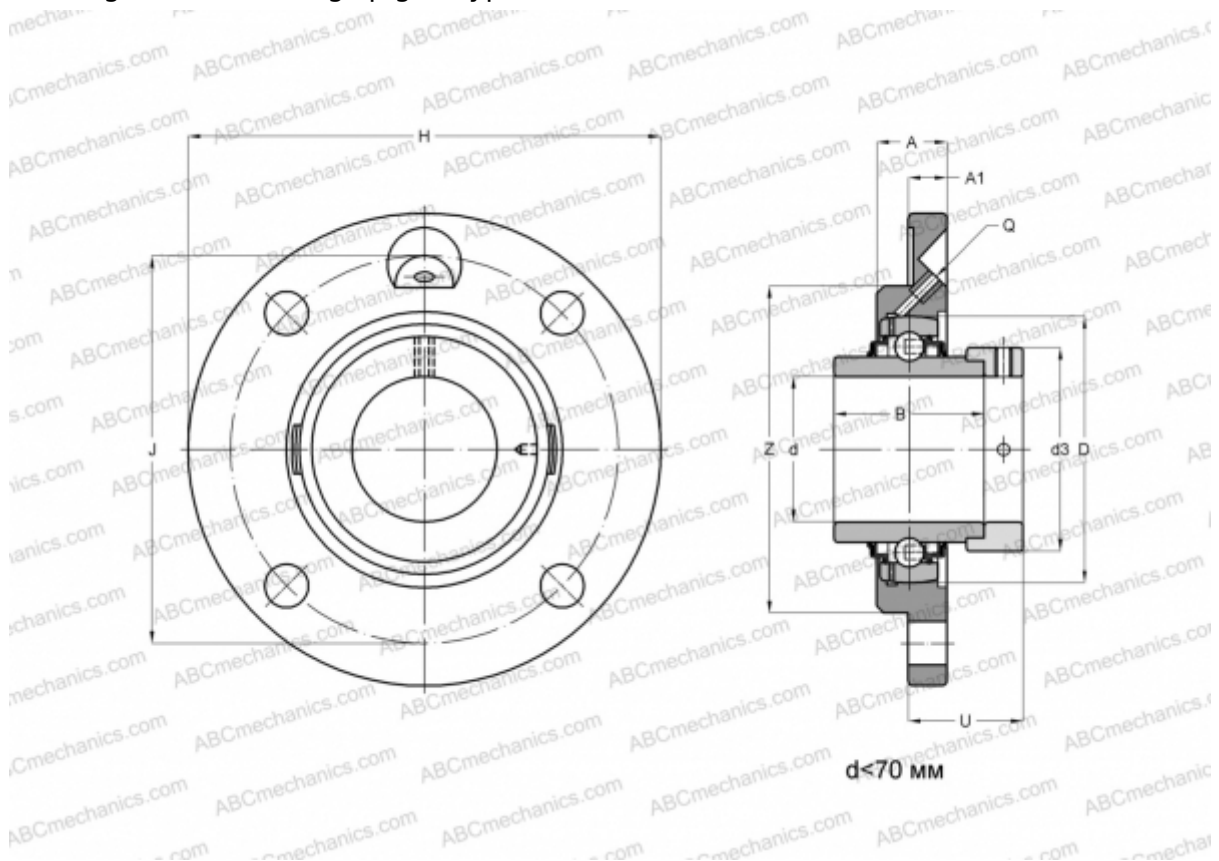


RMEO90 INA

Ball bearing units

TYPE: Housing units, Four-bolt flanged housing units, Cast iron housing, Radial insert ball bearing with eccentric locking collar, Centring spigot, type RMEO (INA)



Technical specification

DIMENSIONS, MM

| | |
|----|---------|
| d | 90,000 |
| D | 190,000 |
| B | 101,000 |
| H | 300,000 |
| A | 50,000 |
| J | 260,000 |
| A1 | 22,000 |
| N | 22,000 |
| d3 | 132,000 |
| U | 62,500 |
| Z | 220,000 |
| Q | Rp1/8 |

WEIGHT, KG 12,700

| | |
|---------|--------------|
| Bearing | GNE90-KRR-B- |
| Housing | GG.MEO18 |

MANUFACTURER

[INA](#)

CALCULATION DATA

| | |
|------------------------------|------------|
| Basic dynamic load rating, C | 143,000 kN |
| Basic static load rating, Co | 107,000 kN |