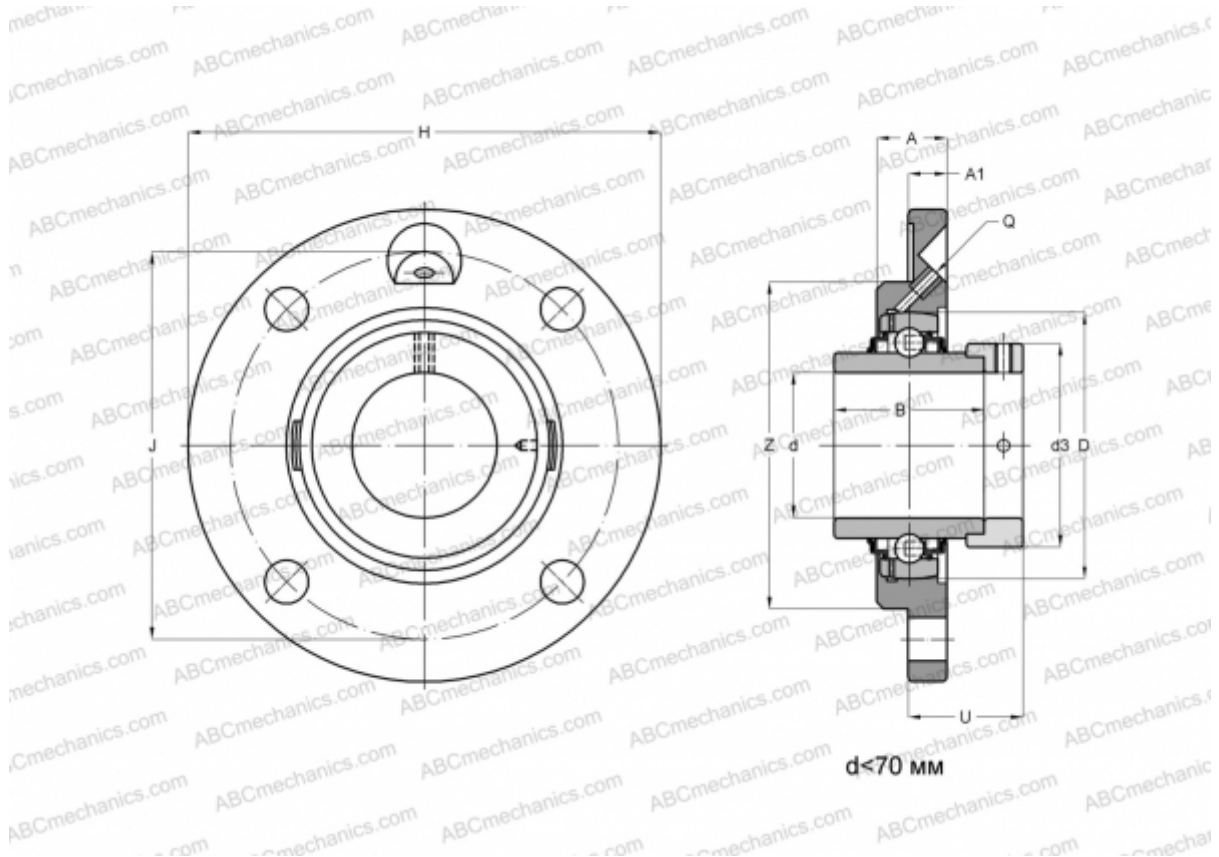


RMEO100 INA

Ball bearing units

TYPE: Housing units, Four-bolt flanged housing units, Cast iron housing, Radial insert ball bearing with eccentric locking collar, Centring spigot, type RMEO (INA)



Technical specification

DIMENSIONS, MM

d	100,000
D	215,000
B	109,400
H	340,000
A	57,000
J	295,000
A1	27,000
N	26,000
d3	145,000
U	68,500
Z	250,000
Q	Rp1/8

WEIGHT, KG 22,300

Bearing	GNE100-KRR-
Housing	GG.MEO20

MANUFACTURER

[INA](#)

CALCULATION DATA

Basic dynamic load rating, C	174,000 kN
Basic static load rating, Co	140,000 kN