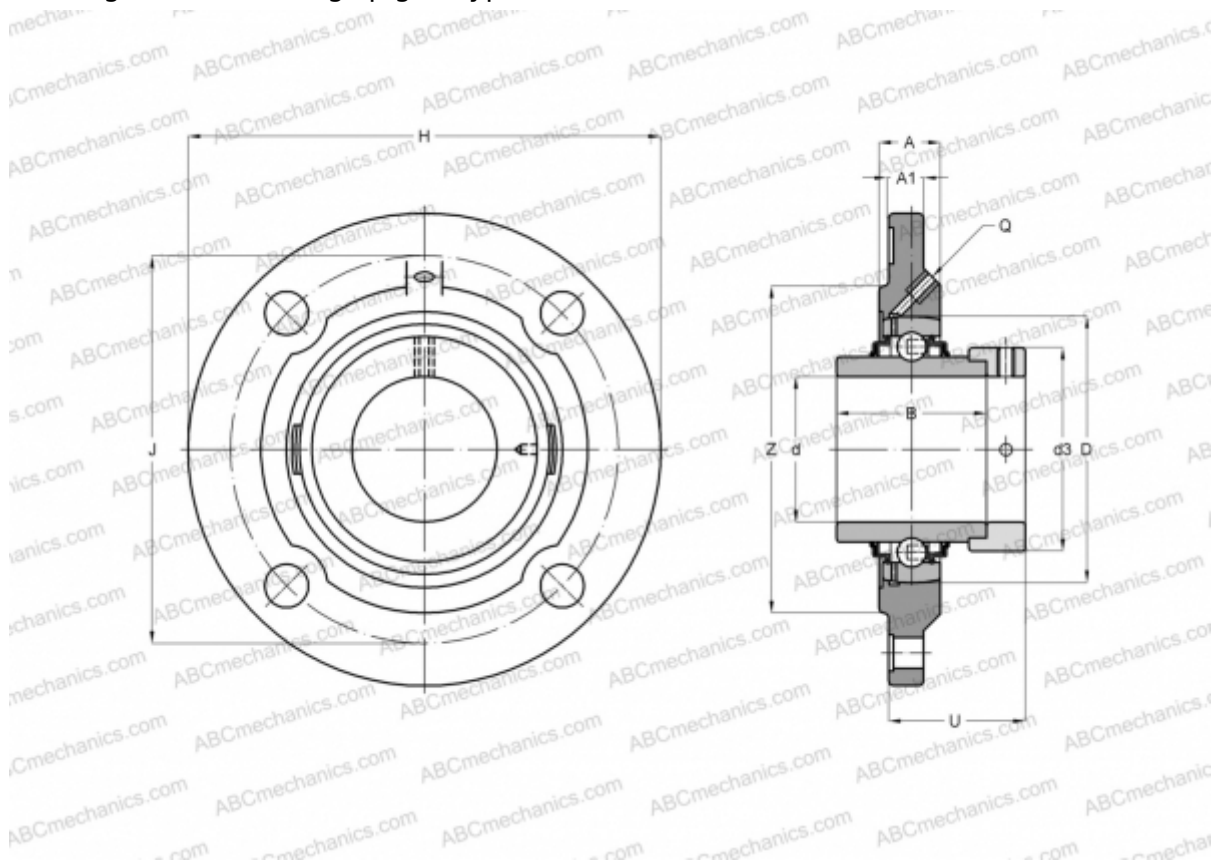


RFE40 INA

Ball bearing units

TYPE: Housing units, Four-bolt flanged housing units, Cast iron housing, Radial insert ball bearing with eccentric locking collar, Centring spigot, type RFE (INA)



Technical specification

DIMENSIONS, MM

d	40,000
D	80,000
B	56,500
H	145,000
A	26,000
J	120,000
A1	11,500
N	11,500
d3	58,000
U	46,400
Z	100,000
Q	Rp1/8

WEIGHT, KG

1,720

Bearing	GE40-KRR-B
Housing	GG.FE08

MANUFACTURER

[INA](#)

CALCULATION DATA

Basic dynamic load rating, C	32,500 kN
Basic static load rating, Co	19,800 kN