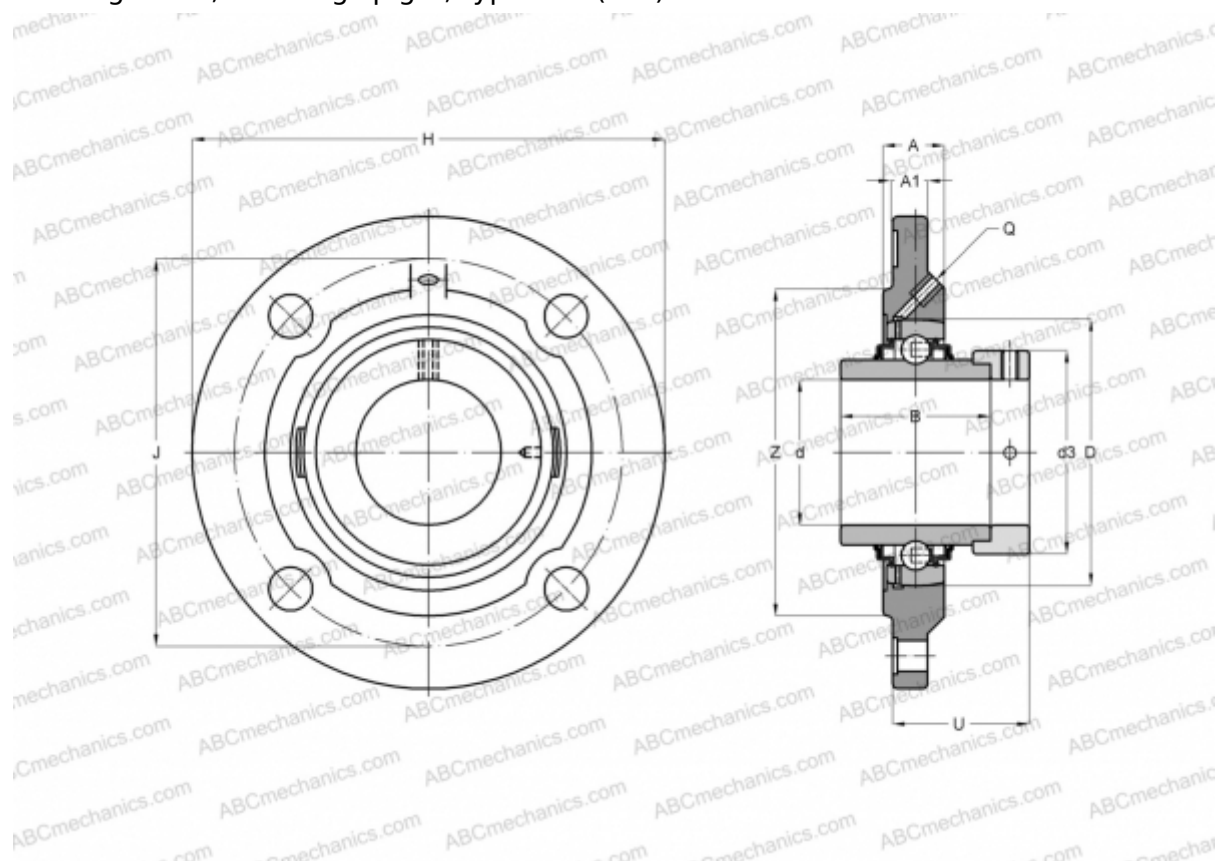


## RFE50-N INA

Ball bearing units

TYPE: Housing units, Four-bolt flanged housing units, Cast iron housing, Radial insert ball bearing with eccentric locking collar, Centring spigot, type RFE (INA)



### Technical specification

#### DIMENSIONS, MM

d	50,000
D	90,000
B	62,800
H	165,000
A	27,500
J	136,000
A1	13,000
N	14,000
d3	69,000
U	50,600
Z	115,000
Q	Rp1/8

**WEIGHT, KG** 2,480

Bearing	GE50-KRR-B
Housing	GG.FE10-N

#### MANUFACTURER

[INA](#)

#### CALCULATION DATA

Basic dynamic load rating, C	35,000 kN
Basic static load rating, Co	23,200 kN