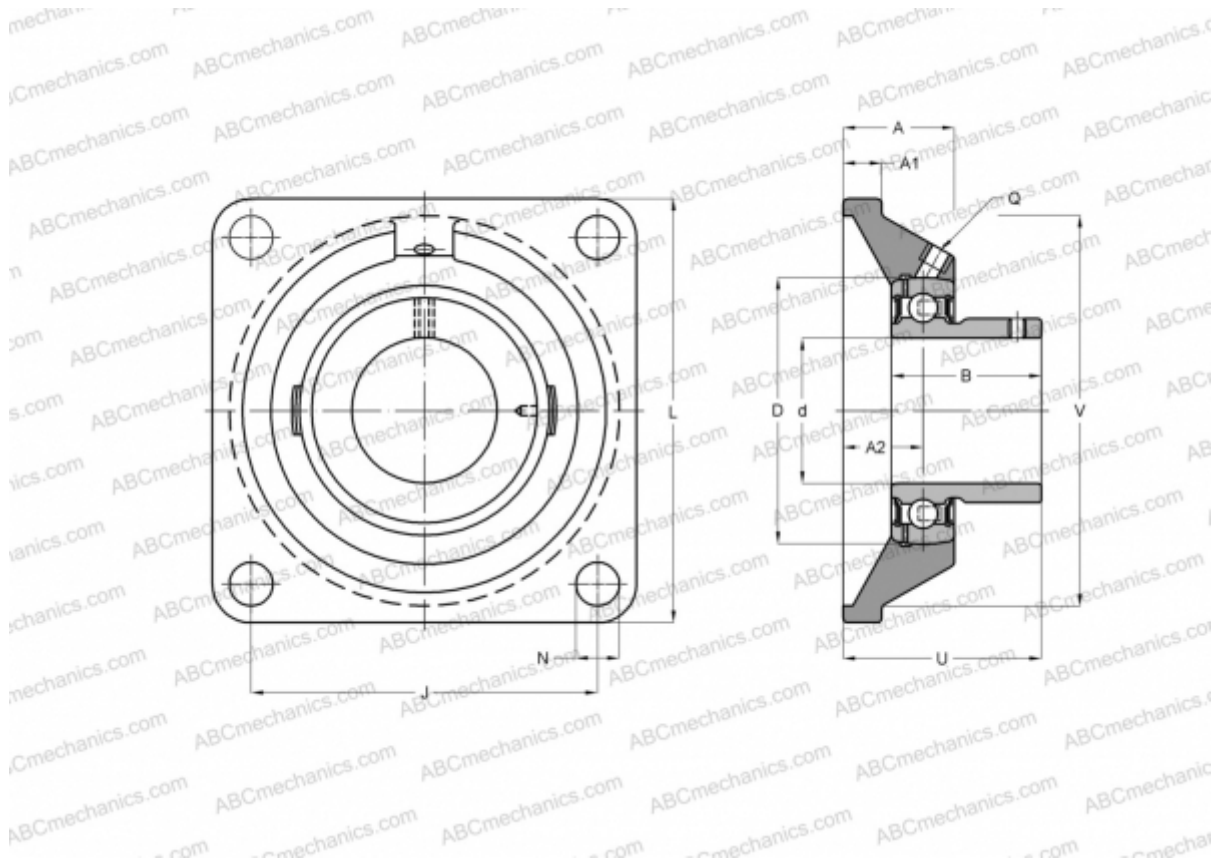


PCJY35-N INA

Ball bearing units

TYPE: Housing units, Four-bolt flanged housing units, Cast iron housing, Radial insert ball bearing with grub screws in inner ring, Type PCJY (INA)



Technical specification

DIMENSIONS, MM

d	35,000
D	72,000
B	34,950
L	118,000
A	30,500
J	92,000
A1	12,500
A2	21,000
N	14,000
U	46,450
V	100,000
Q	Rp1/8

WEIGHT, KG

1,380

Bearing

GAY35-NPP-B

Housing

GG.CJ07-N

MANUFACTURER

[INA](#)

CALCULATION DATA

Basic dynamic load rating, C	25,500 kN
Basic static load rating, Co	15,300 kN