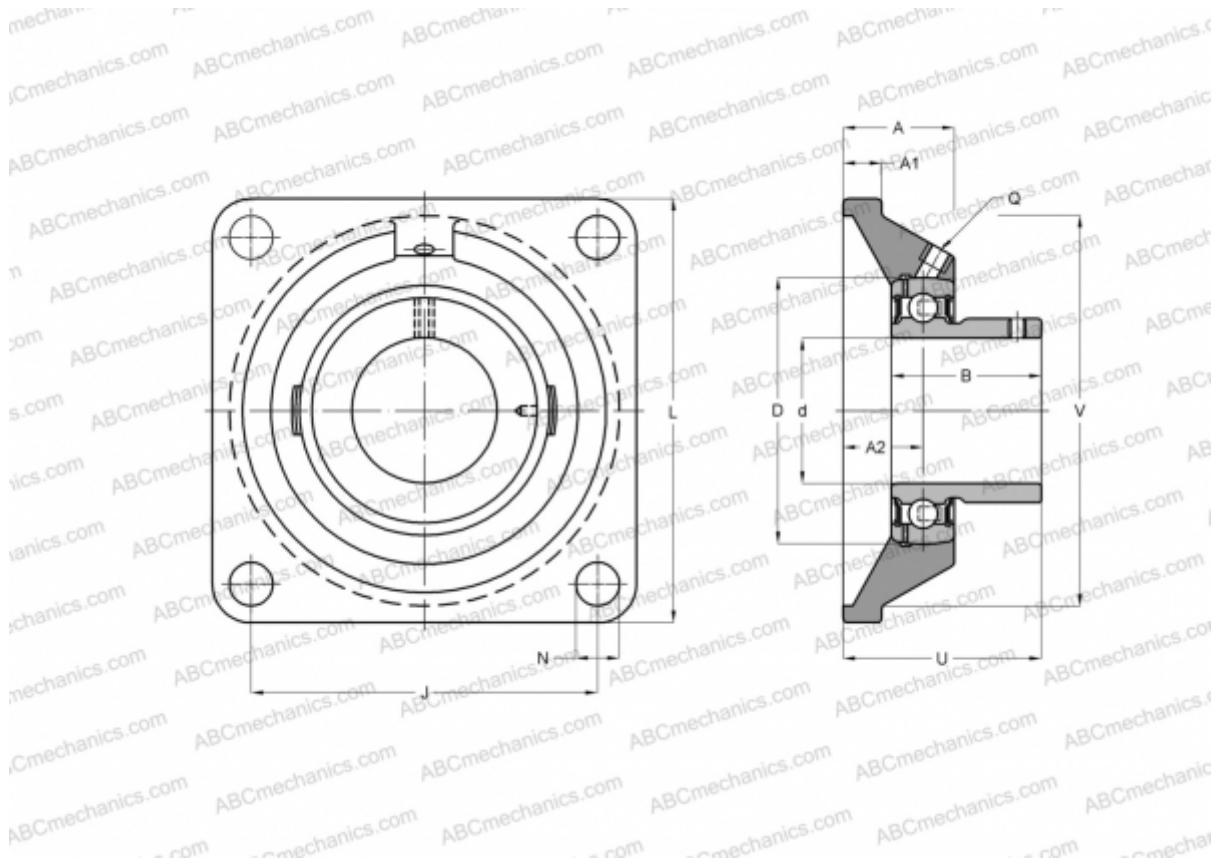


## PCJY45 INA

Ball bearing units

TYPE: Housing units, Four-bolt flanged housing units, Cast iron housing, Radial insert ball bearing with grub screws in inner ring, Type PCJY (INA)



### Technical specification

#### DIMENSIONS, MM

d	45,000
D	85,000
B	41,500
L	137,000
A	35,000
J	105,000
A1	13,000
A2	24,000
N	14,000
U	54,500
V	116,000
Q	Rp1/8

**WEIGHT, KG** 2,000

Bearing	GAY45-NPP-B
Housing	GG.CJ09

#### MANUFACTURER

[INA](#)

#### CALCULATION DATA

Basic dynamic load rating, C	32,500 kN
Basic static load rating, Co	20,400 kN