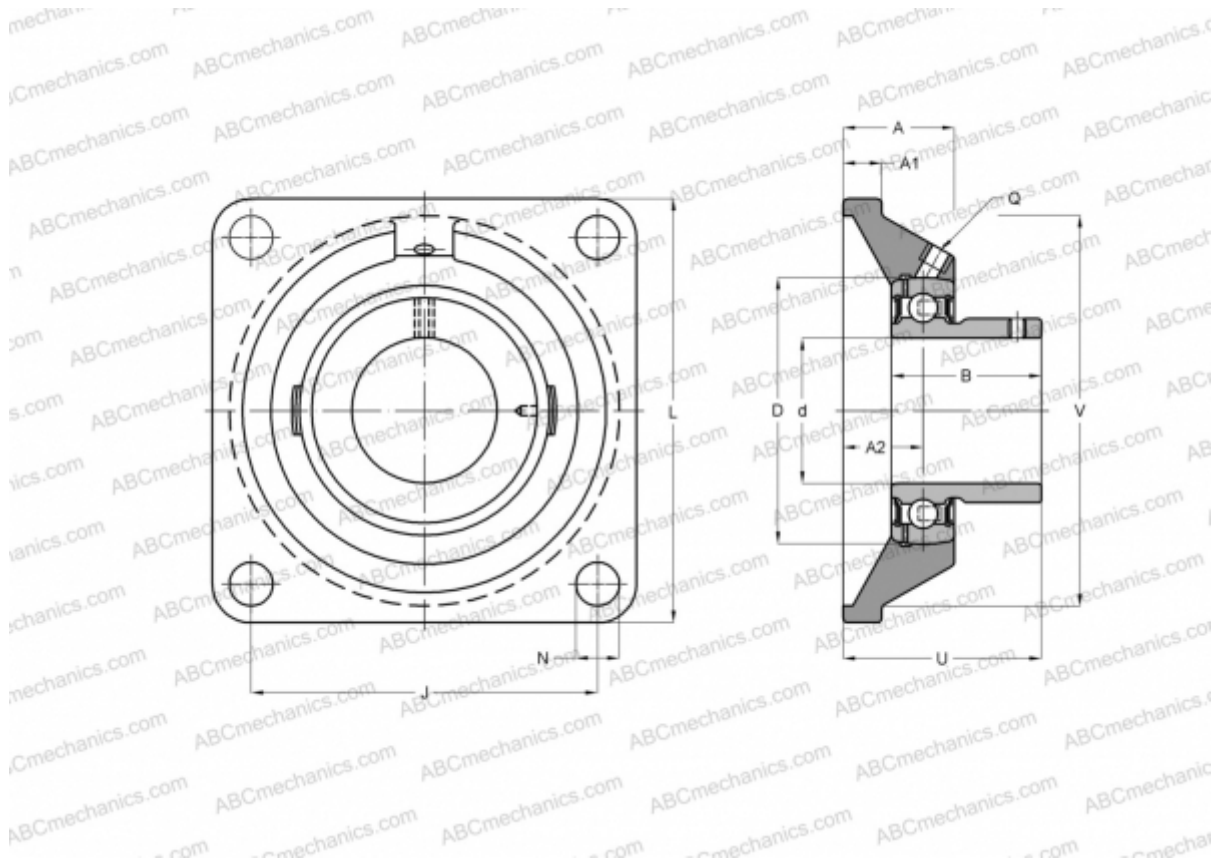


## PCJY50-N INA

Ball bearing units

TYPE: Housing units, Four-bolt flanged housing units, Cast iron housing, Radial insert ball bearing with grub screws in inner ring, Type PCJY (INA)



### Technical specification

#### DIMENSIONS, MM

d	50,000
D	90,000
B	43,000
L	143,000
A	39,000
J	111,000
A1	13,000
A2	28,000
N	18,000
U	60,000
V	125,000
Q	Rp1/8

**WEIGHT, KG** 2,200

Bearing	GAY50-NPP-B
Housing	GG.CJ10-N

#### MANUFACTURER

[INA](#)

#### CALCULATION DATA

Basic dynamic load rating, C	35,000 kN
Basic static load rating, Co	23,200 kN