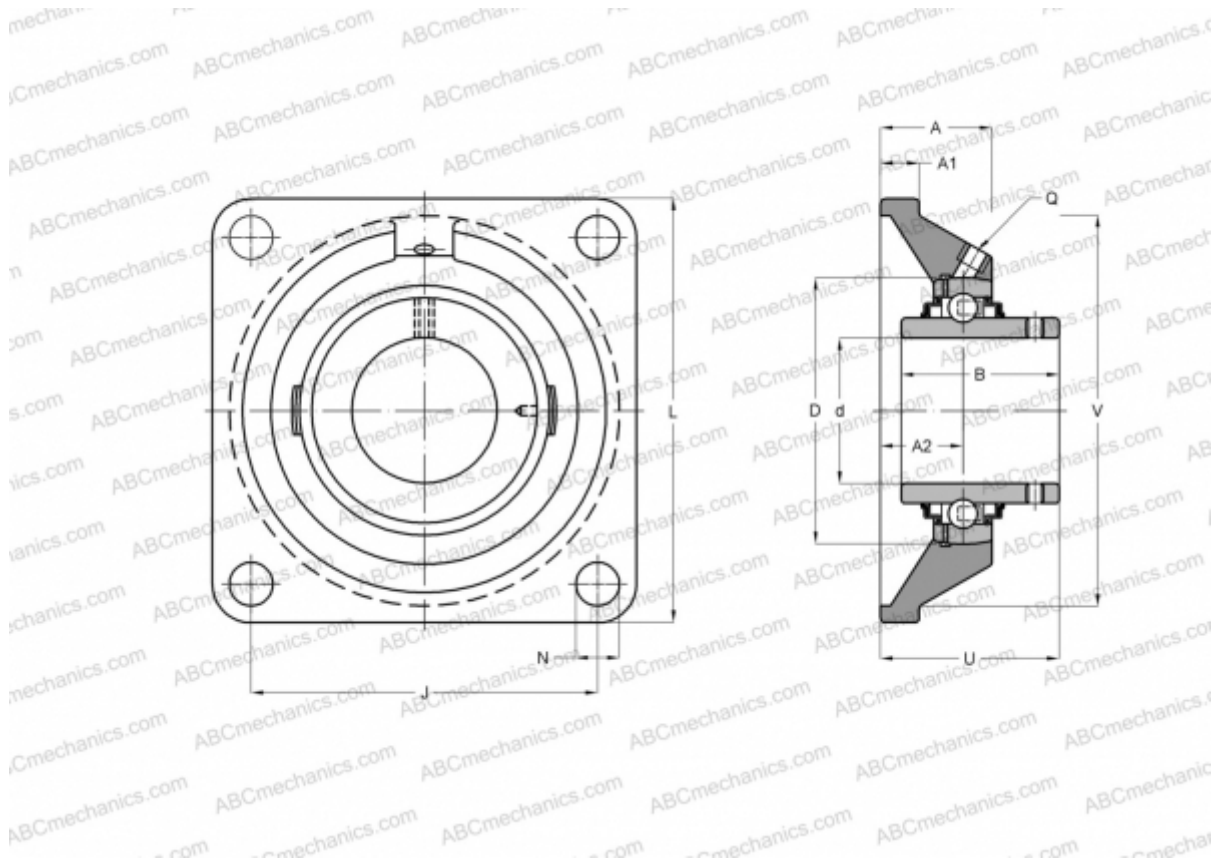


RCJY50-N INA

Ball bearing units

TYPE: Housing units, Four-bolt flanged housing units, Cast iron housing, Radial insert ball bearing with grub screws in inner ring, Type RCJY (INA)



Technical specification

DIMENSIONS, MM

d	50,000
D	90,000
B	51,600
L	143,000
A	39,000
J	111,000
A1	13,000
A2	28,000
N	18,000
U	60,600
V	125,000
Q	Rp1/8

WEIGHT, KG 2,330

Bearing	GYE50-KRR-B
Housing	GG.CJ10-N

MANUFACTURER

[INA](#)

CALCULATION DATA

Basic dynamic load rating, C	35,000 kN
Basic static load rating, Co	23,200 kN