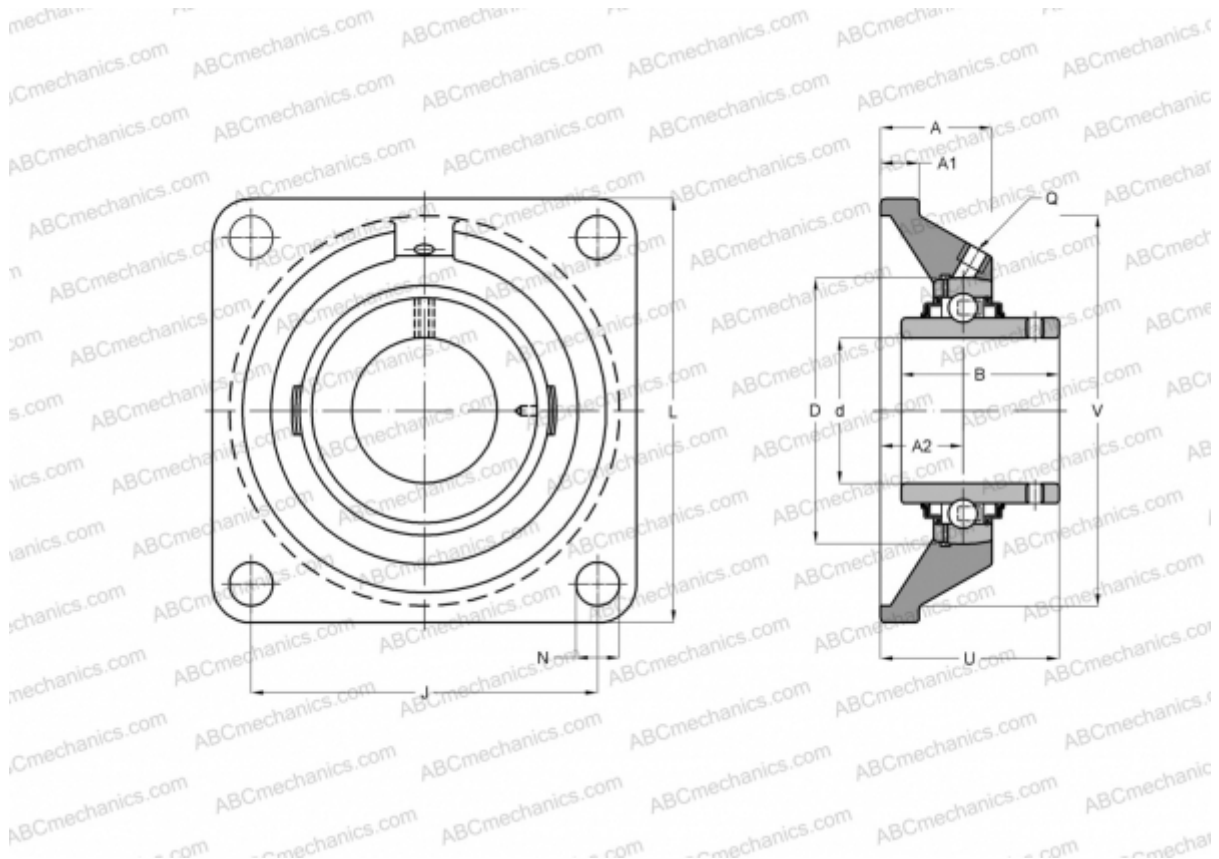


RCJY60-N INA

Ball bearing units

TYPE: Housing units, Four-bolt flanged housing units, Cast iron housing, Radial insert ball bearing with grub screws in inner ring, Type RCJY (INA)



Technical specification

DIMENSIONS, MM

| | |
|----|---------|
| d | 60,000 |
| D | 110,000 |
| B | 65,100 |
| L | 175,000 |
| A | 46,000 |
| J | 143,000 |
| A1 | 16,000 |
| A2 | 34,000 |
| N | 18,000 |
| U | 73,700 |
| V | 150,000 |
| Q | Rp1/8 |

WEIGHT, KG

4,220

| | |
|---------|-------------|
| Bearing | GYE60-KRR-B |
| Housing | GG.CJ12-N |

MANUFACTURER

[INA](#)

CALCULATION DATA

| | |
|------------------------------|-----------|
| Basic dynamic load rating, C | 52,000 kN |
| Basic static load rating, Co | 36,000 kN |