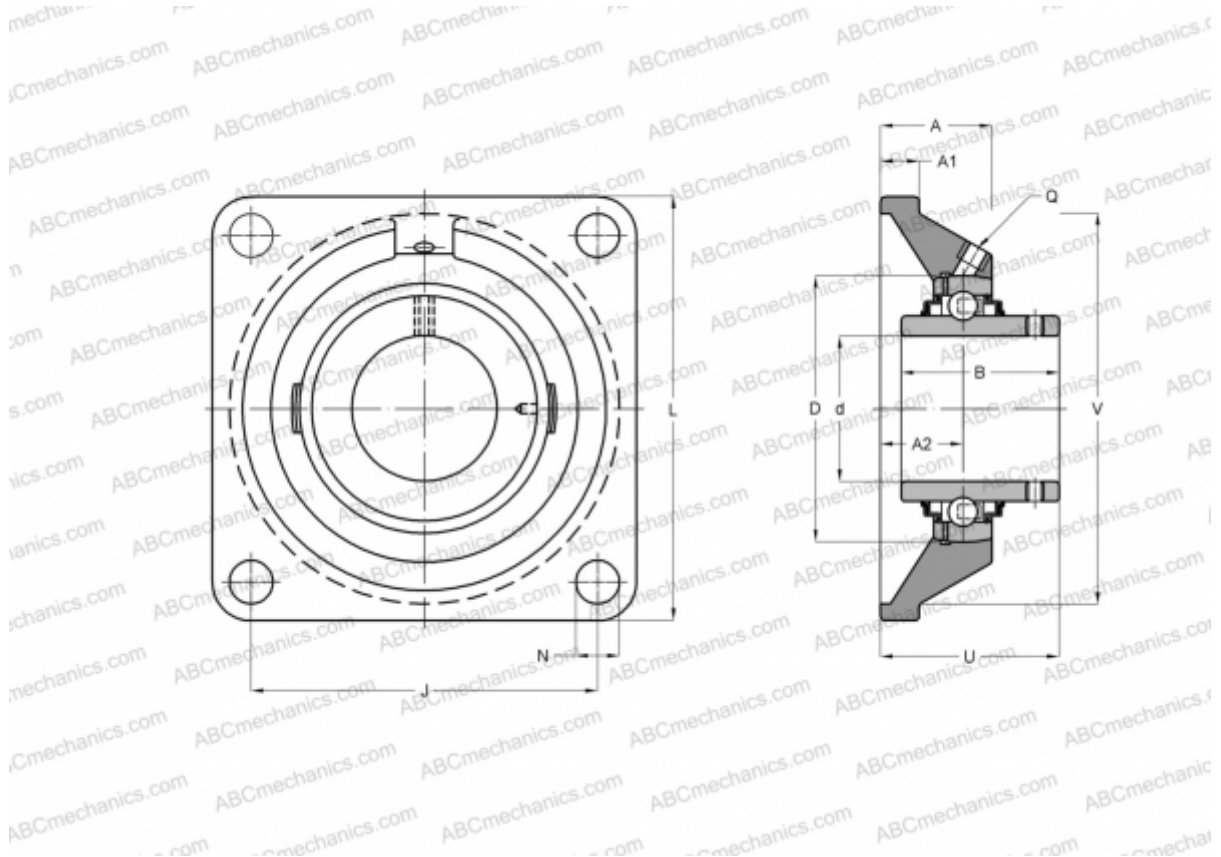


RCJY80 INA

Ball bearing units

TYPE: Housing units, Four-bolt flanged housing units, Cast iron housing, Radial insert ball bearing with grub screws in inner ring, Type RCJY (INA)



Technical specification

DIMENSIONS, MM

d	80,000
D	140,000
B	82,600
L	197,000
A	55,800
J	153,000
A1	20,000
A2	41,300
N	23,000
U	90,600
V	180,000
Q	Rp1/8

WEIGHT, KG

6,820

Bearing

GYE80-KRR-B

Housing

GG.CJ16

MANUFACTURER

[INA](#)

CALCULATION DATA

Basic dynamic load rating, C	72,000 kN
Basic static load rating, Co	54,000 kN