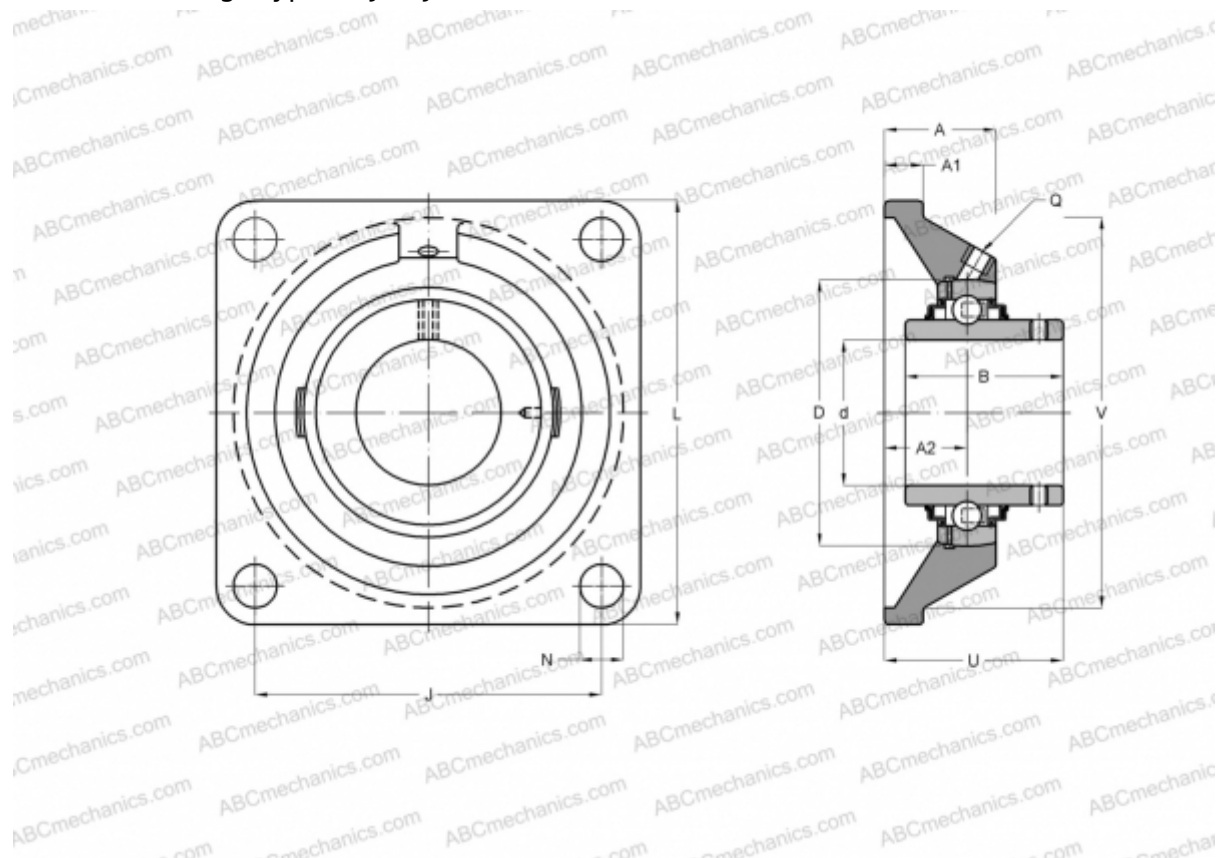


## RCJY25-JIS INA

Ball bearing units

TYPE: Housing units, Four-bolt flanged housing units, Cast iron housing, Radial insert ball bearing with grub screws in inner ring, Type RCJY...-JIS (INA)



### Technical specification

#### DIMENSIONS, MM

d	25,000
D	52,000
B	34,100
L	95,000
A	27,000
J	70,000
A1	14,000
A2	16,000
N	12,000
U	35,800
Q	M6

**WEIGHT, KG** 0,760

Bearing GYE25-KRR-B-FA107

Housing GG.F205

**MANUFACTURER** [INA](#)

#### CALCULATION DATA

Basic dynamic load rating, C	14,000 kN
Basic static load rating, Co	7,800 kN