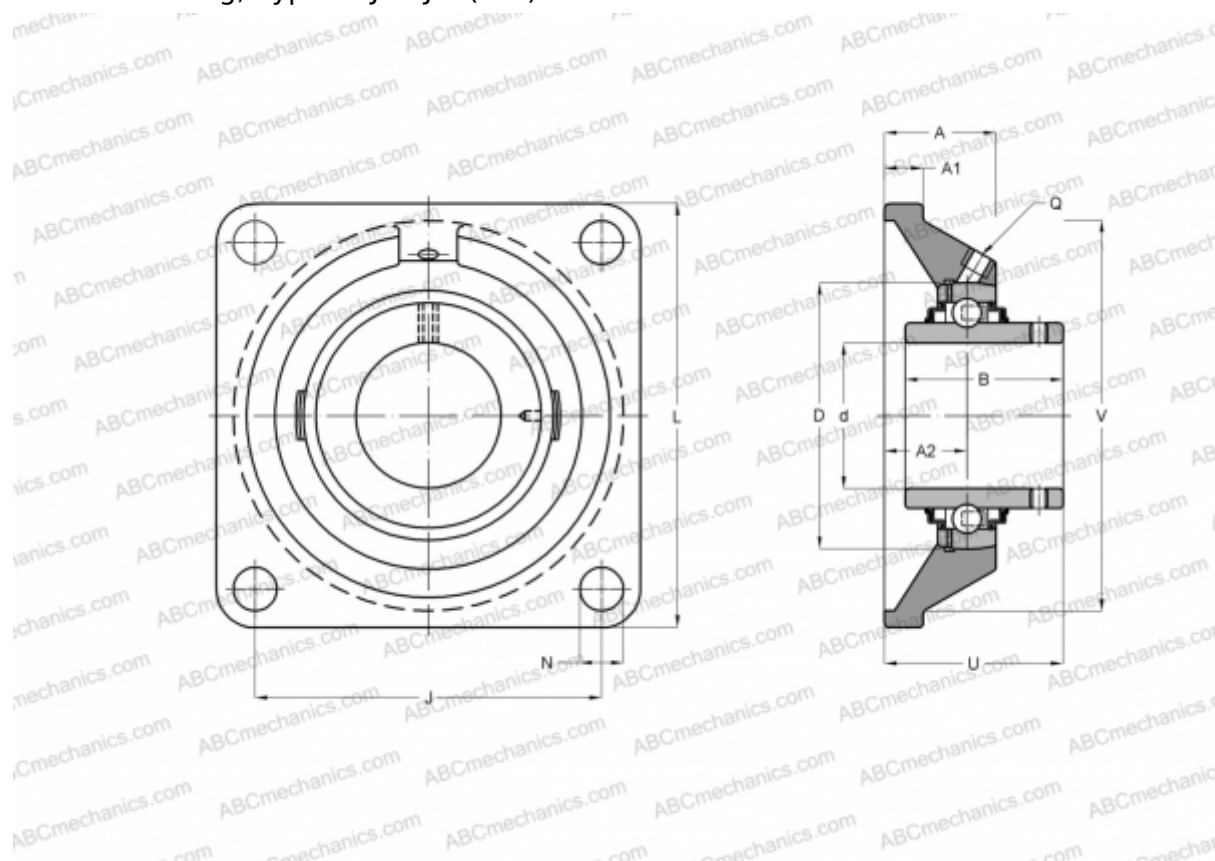


## RCJY30-JIS INA

Ball bearing units

TYPE: Housing units, Four-bolt flanged housing units, Cast iron housing, Radial insert ball bearing with grub screws in inner ring, Type RCJY...-JIS (INA)



### Technical specification

#### DIMENSIONS, MM

|    |         |
|----|---------|
| d  | 30,000  |
| D  | 62,000  |
| B  | 38,100  |
| L  | 108,000 |
| A  | 31,000  |
| J  | 83,000  |
| A1 | 14,000  |
| A2 | 18,000  |
| N  | 12,000  |
| U  | 40,200  |
| Q  | M6      |

**WEIGHT, KG** 1,170

Bearing GYE30-KRR-B-FA107

Housing GG.F206

#### MANUFACTURER

[INA](#)

#### CALCULATION DATA

|                              |           |
|------------------------------|-----------|
| Basic dynamic load rating, C | 19,500 kN |
| Basic static load rating, Co | 11,300 kN |