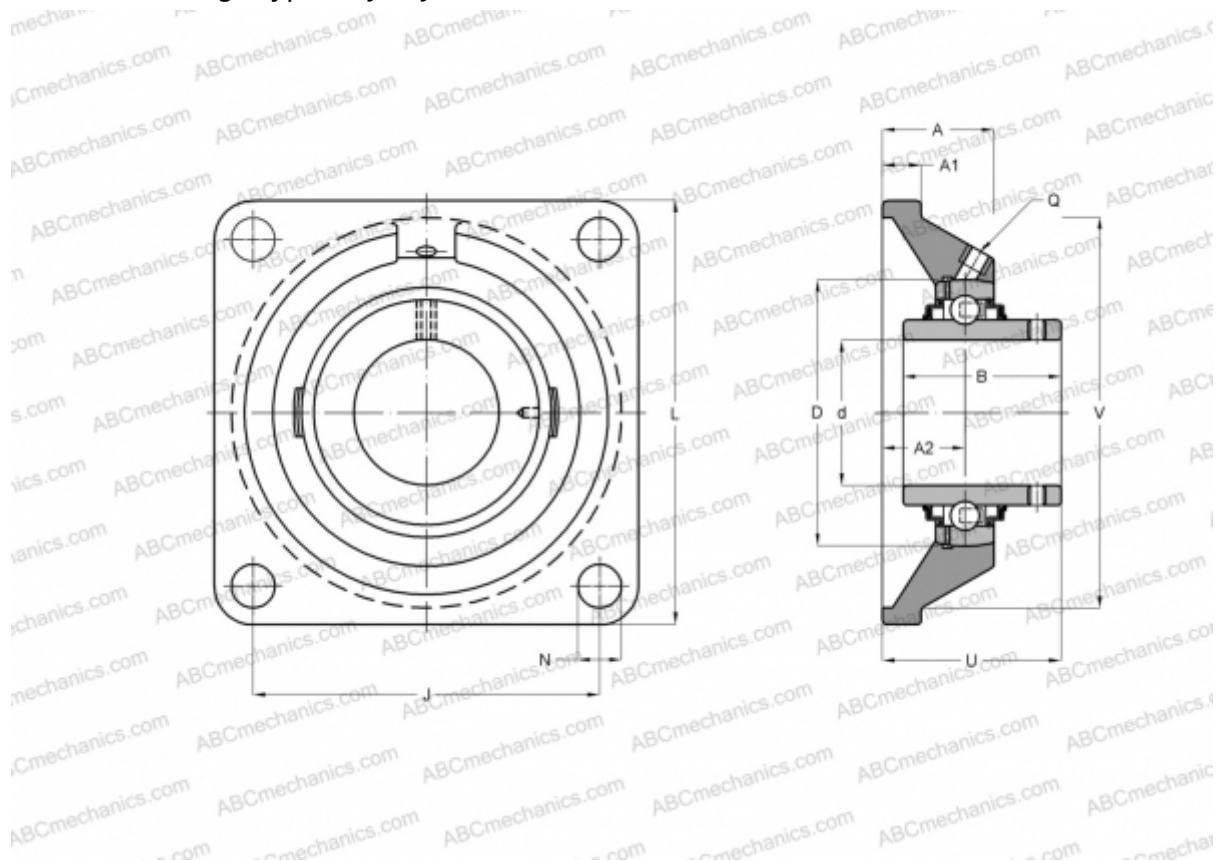


## RCJY45-JIS INA

Ball bearing units

TYPE: Housing units, Four-bolt flanged housing units, Cast iron housing, Radial insert ball bearing with grub screws in inner ring, Type RCJY...-JIS (INA)



### Technical specification

#### DIMENSIONS, MM

d	45,000
D	85,000
B	49,200
L	137,000
A	38,000
J	105,000
A1	18,000
A2	22,000
N	16,000
U	52,200
Q	M6

**WEIGHT, KG** 2,280

Bearing GYE45-KRR-B-FA107

Housing

GG.F209

#### MANUFACTURER

[INA](#)

#### CALCULATION DATA

Basic dynamic load rating, C	32,500 kN
Basic static load rating, Co	20,400 kN