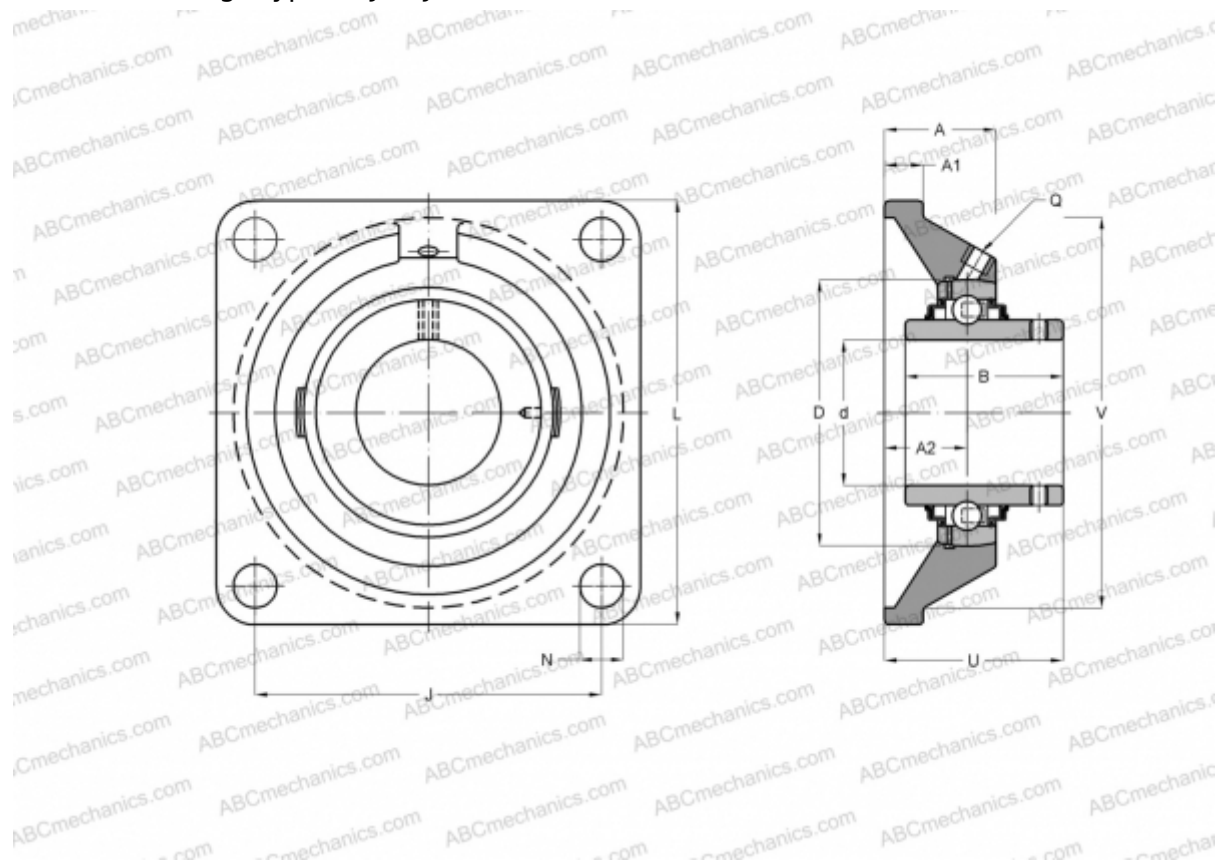


RCJY60-JIS INA

Ball bearing units

TYPE: Housing units, Four-bolt flanged housing units, Cast iron housing, Radial insert ball bearing with grub screws in inner ring, Type RCJY...-JIS (INA)



Technical specification

DIMENSIONS, MM

d	60,000
D	110,000
B	65,100
L	175,000
A	48,000
J	143,000
A1	20,000
A2	29,000
N	19,000
U	68,700
Q	M6

WEIGHT, KG 4,220

Bearing GYE60-KRR-B-FA107

Housing

GG.F212

MANUFACTURER

[INA](#)

CALCULATION DATA

Basic dynamic load rating, C	52,000 kN
Basic static load rating, Co	36,000 kN