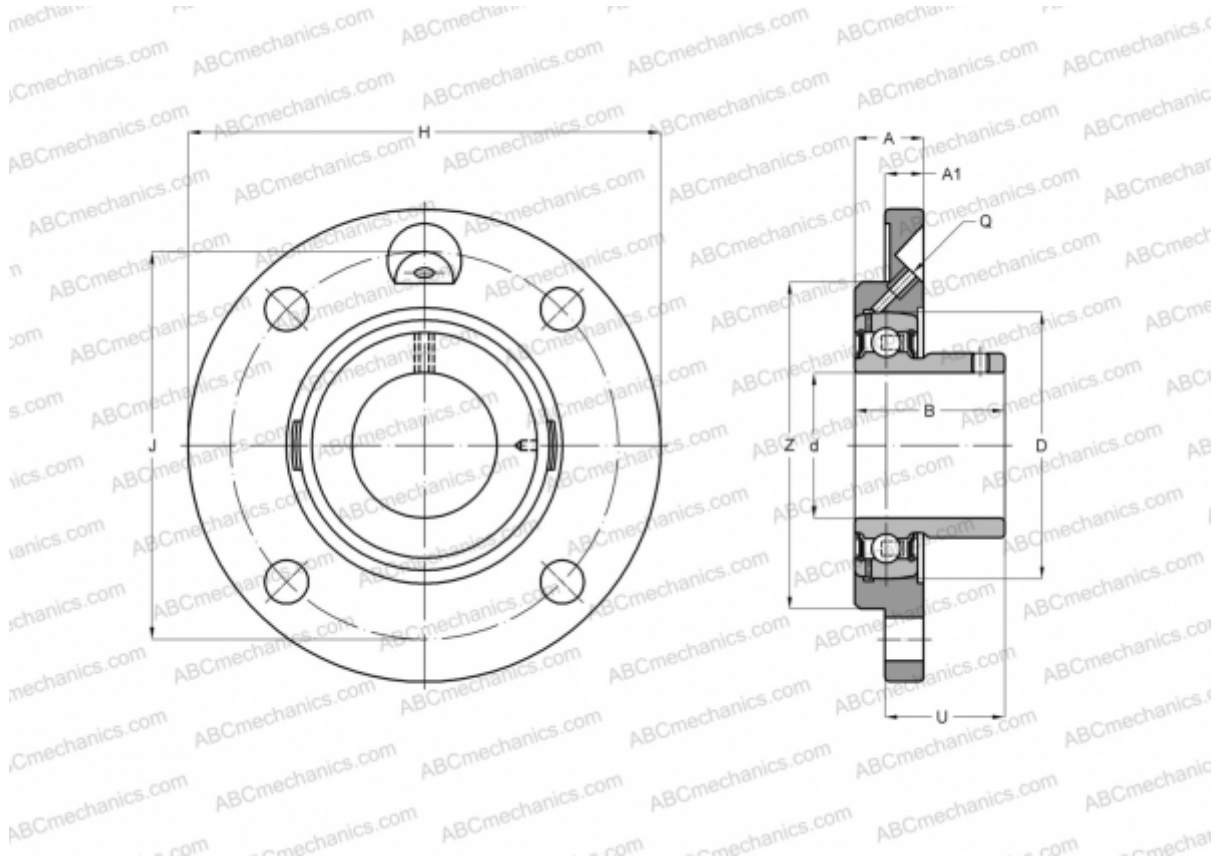


## PMEY45 INA

Ball bearing units

TYPE: Housing units, Four-bolt flanged housing units, Cast iron housing, Radial insert ball bearing with grub screws in inner ring, Centring spigot, type PMEY (INA)



### Technical specification

#### DIMENSIONS, MM

d	45,000
D	85,000
B	41,500
H	155,000
A	25,000
J	130,000
A1	12,000
N	14,000
U	28,500
Z	105,000
Q	M6

**WEIGHT, KG** 1,770

Bearing GAY45-NPP-B

Housing

GG.ME09

#### MANUFACTURER

[INA](#)

#### CALCULATION DATA

Basic dynamic load rating, C	32,500 kN
Basic static load rating, Co	20,400 kN