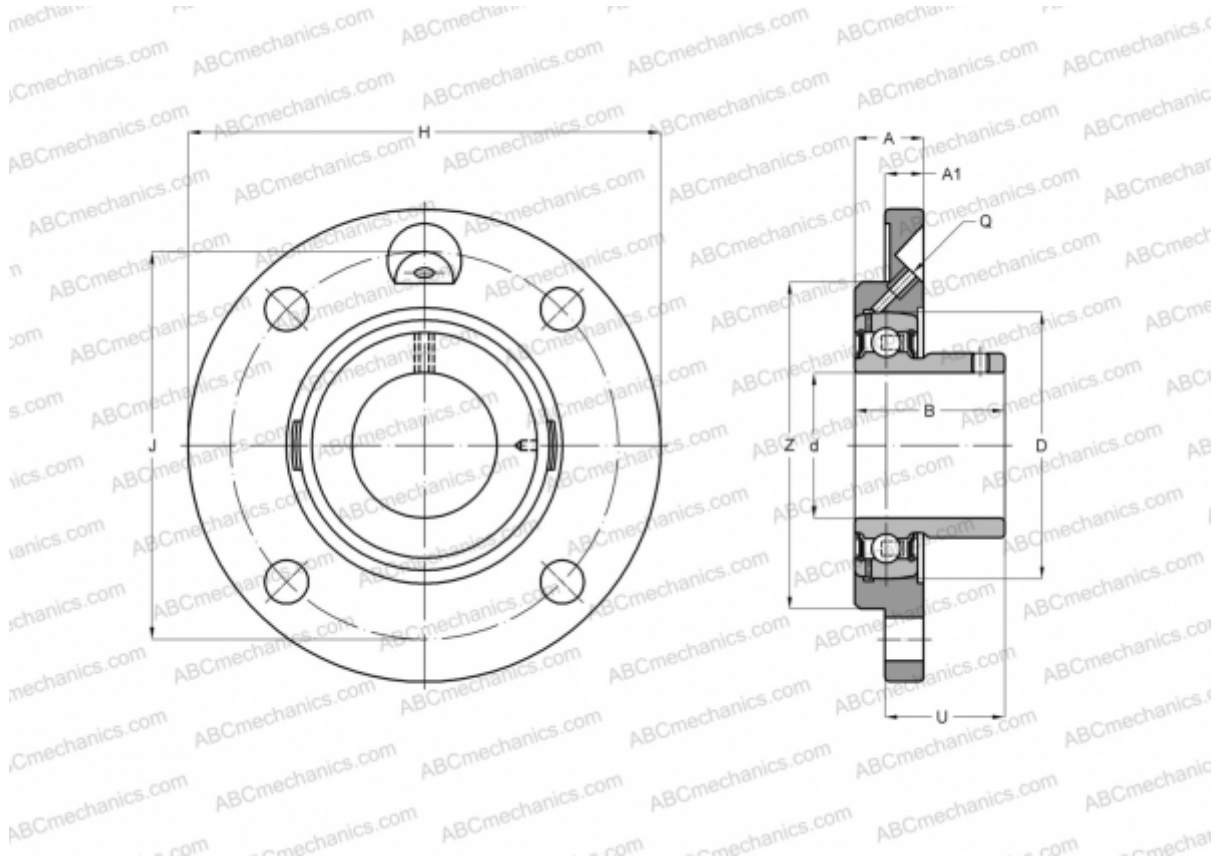


PMEY60-N INA

Ball bearing units

TYPE: Housing units, Four-bolt flanged housing units, Cast iron housing, Radial insert ball bearing with grub screws in inner ring, Centring spigot, type PMEY (INA)



Technical specification

DIMENSIONS, MM

d	60,000
D	110,000
B	47,000
H	195,000
A	29,000
J	160,000
A1	16,000
N	18,000
U	33,000
Z	135,000
Q	Rp1/8

WEIGHT, KG 3,410

Bearing GAY60-NPP-B

Housing	GG.ME12-N
Protective cover	KASK12

MANUFACTURER

[INA](#)

CALCULATION DATA

Basic dynamic load rating, C	52,000 kN
Basic static load rating, Co	36,000 kN