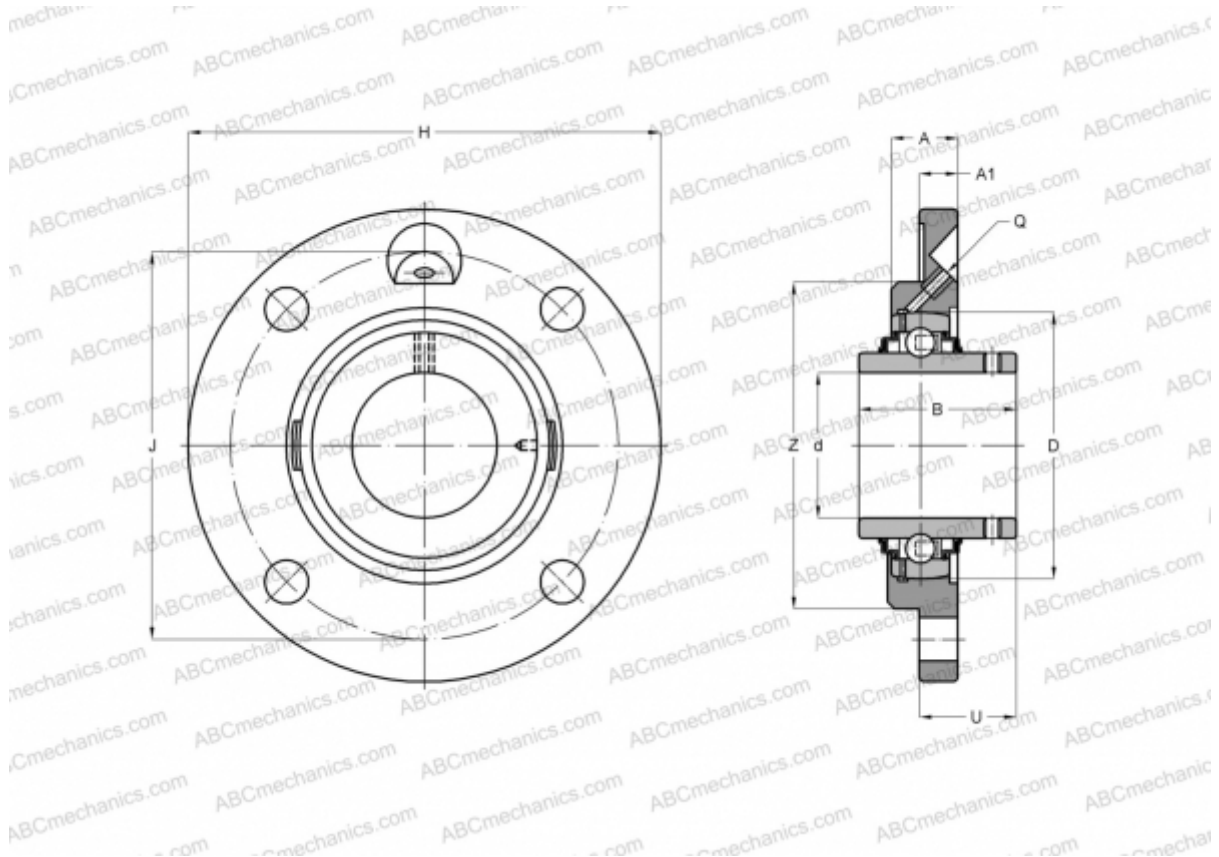


## RMEY35-N INA

Ball bearing units

TYPE: Housing units, Four-bolt flanged housing units, Cast iron housing, Radial insert ball bearing with grub screws in inner ring, Centring spigot, type RMEY (INA)



### Technical specification

#### DIMENSIONS, MM

d	35,000
D	72,000
B	42,900
H	135,000
A	20,500
J	110,000
A1	10,000
N	11,500
U	24,400
Z	90,000
Q	M6

**WEIGHT, KG** 1,280

Bearing GYE35-KRR-B

Housing	GG.ME07-N
Protective cover	KASK07

#### MANUFACTURER

[INA](#)

#### CALCULATION DATA

Basic dynamic load rating, C	25,500 kN
Basic static load rating, Co	15,300 kN