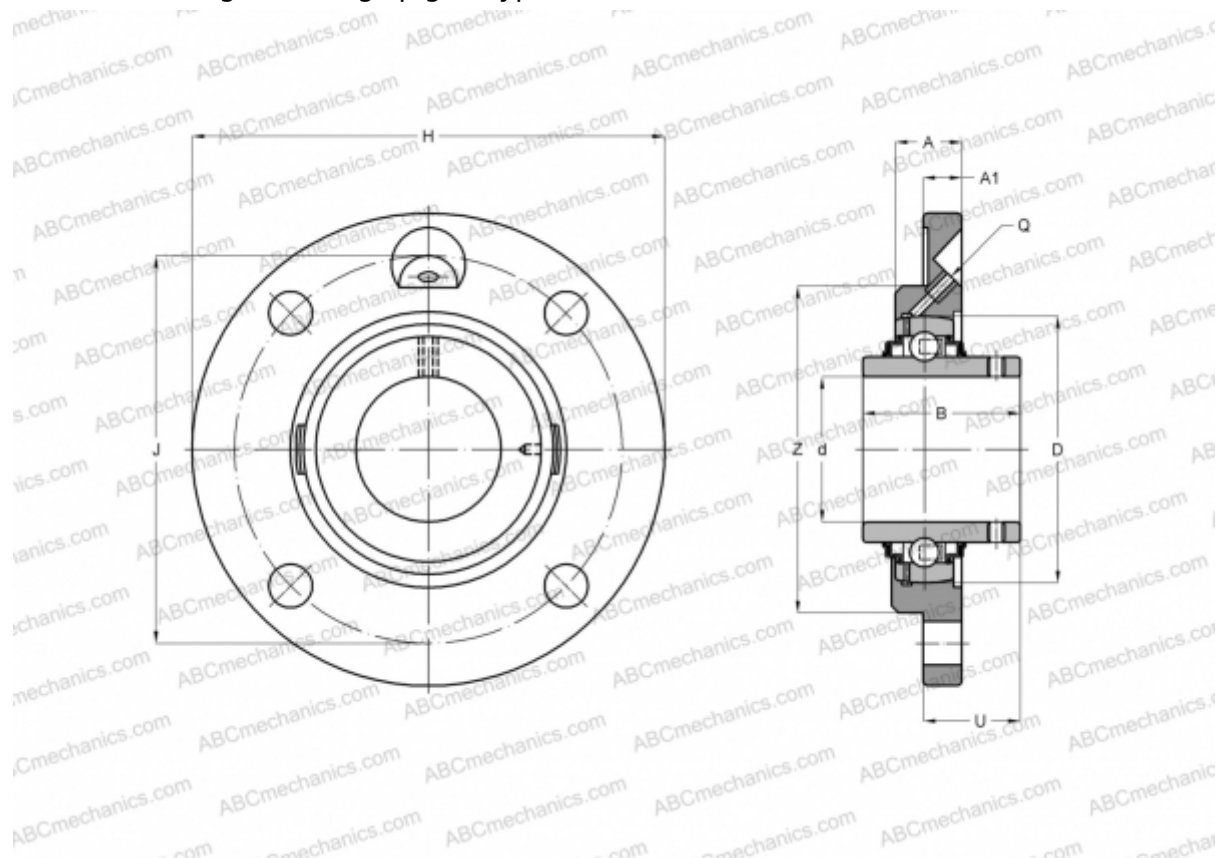


RMEY40-N INA

Ball bearing units

TYPE: Housing units, Four-bolt flanged housing units, Cast iron housing, Radial insert ball bearing with grub screws in inner ring, Centring spigot, type RMEY (INA)



Technical specification

DIMENSIONS, MM

d	40,000
D	80,000
B	49,200
H	145,000
A	23,000
J	120,000
A1	11,500
N	11,500
U	29,200
Z	100,000
Q	M6

WEIGHT, KG 1,650

Bearing GYE40-KRR-B

Housing	GG.ME08-N
Protective cover	KASK08

MANUFACTURER

[INA](#)

CALCULATION DATA

Basic dynamic load rating, C	32,500 kN
Basic static load rating, Co	19,800 kN