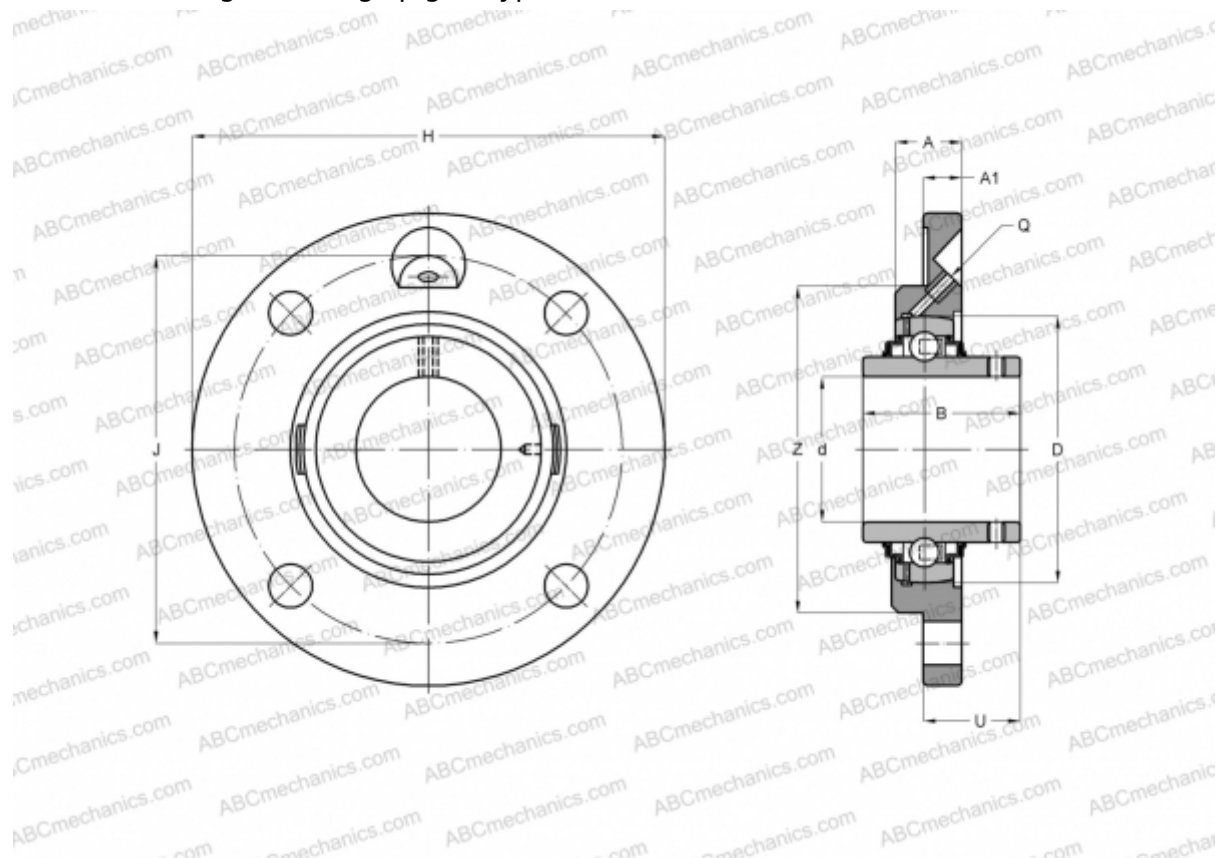


## RMEY50-N INA

Ball bearing units

TYPE: Housing units, Four-bolt flanged housing units, Cast iron housing, Radial insert ball bearing with grub screws in inner ring, Centring spigot, type RMEY (INA)



### Technical specification

#### DIMENSIONS, MM

d	50,000
D	90,000
B	51,600
H	165,000
A	25,000
J	135,000
A1	13,000
N	14,000
U	31,600
Z	110,000
Q	M8X1

**WEIGHT, KG** 2,160

Bearing GYE50-KRR-B

Housing	GG.ME10-N
Protective cover	KASK10

#### MANUFACTURER

[INA](#)

#### CALCULATION DATA

Basic dynamic load rating, C	35,000 kN
Basic static load rating, Co	23,200 kN