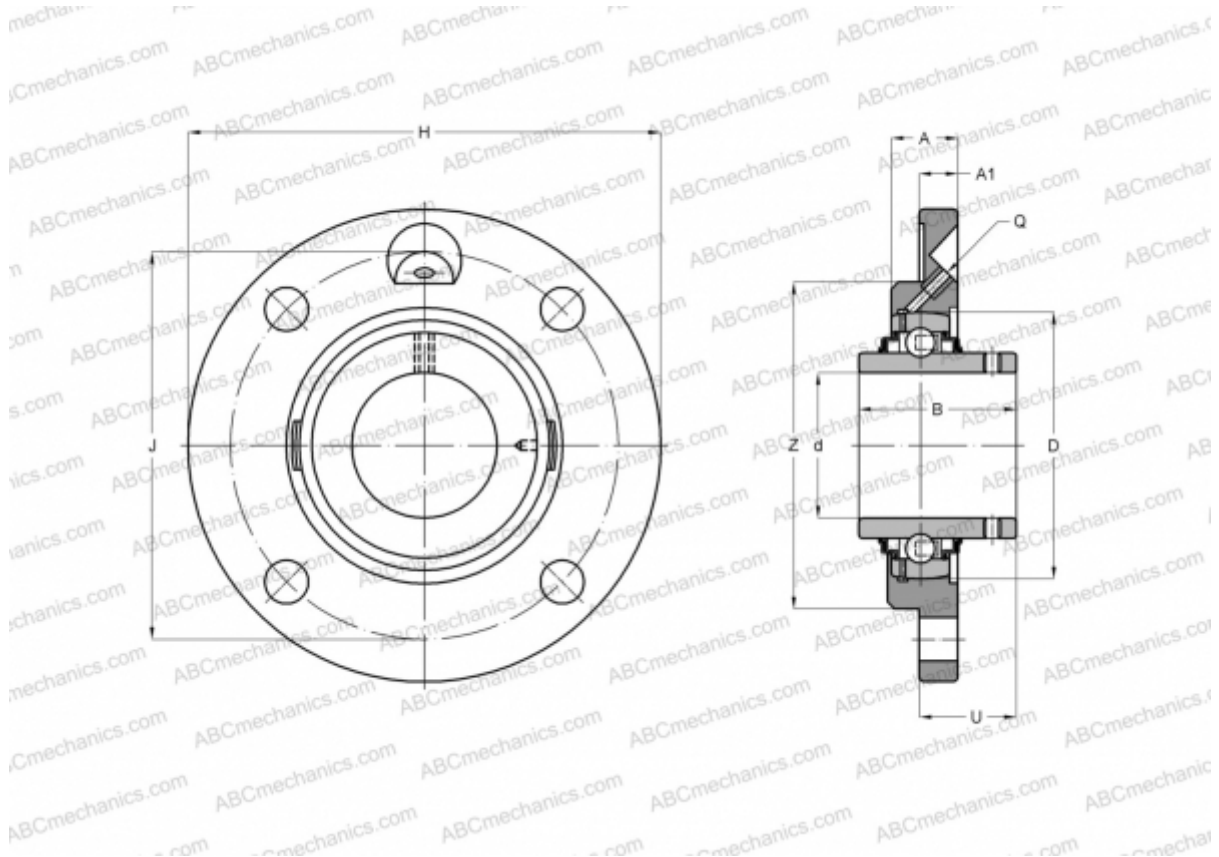


RMEY55 INA

Ball bearing units

TYPE: Housing units, Four-bolt flanged housing units, Cast iron housing, Radial insert ball bearing with grub screws in inner ring, Centring spigot, type RMEY (INA)



Technical specification

DIMENSIONS, MM

| | |
|----|---------|
| d | 55,000 |
| D | 100,000 |
| B | 55,600 |
| H | 185,000 |
| A | 27,500 |
| J | 150,000 |
| A1 | 15,000 |
| N | 18,000 |
| U | 33,400 |
| Z | 125,000 |
| Q | M6 |

WEIGHT, KG 3,050

Bearing GYE55-KRR-B

Housing

GG.ME11

MANUFACTURER

[INA](#)

CALCULATION DATA

| | |
|------------------------------|-----------|
| Basic dynamic load rating, C | 43,500 kN |
| Basic static load rating, Co | 29,000 kN |