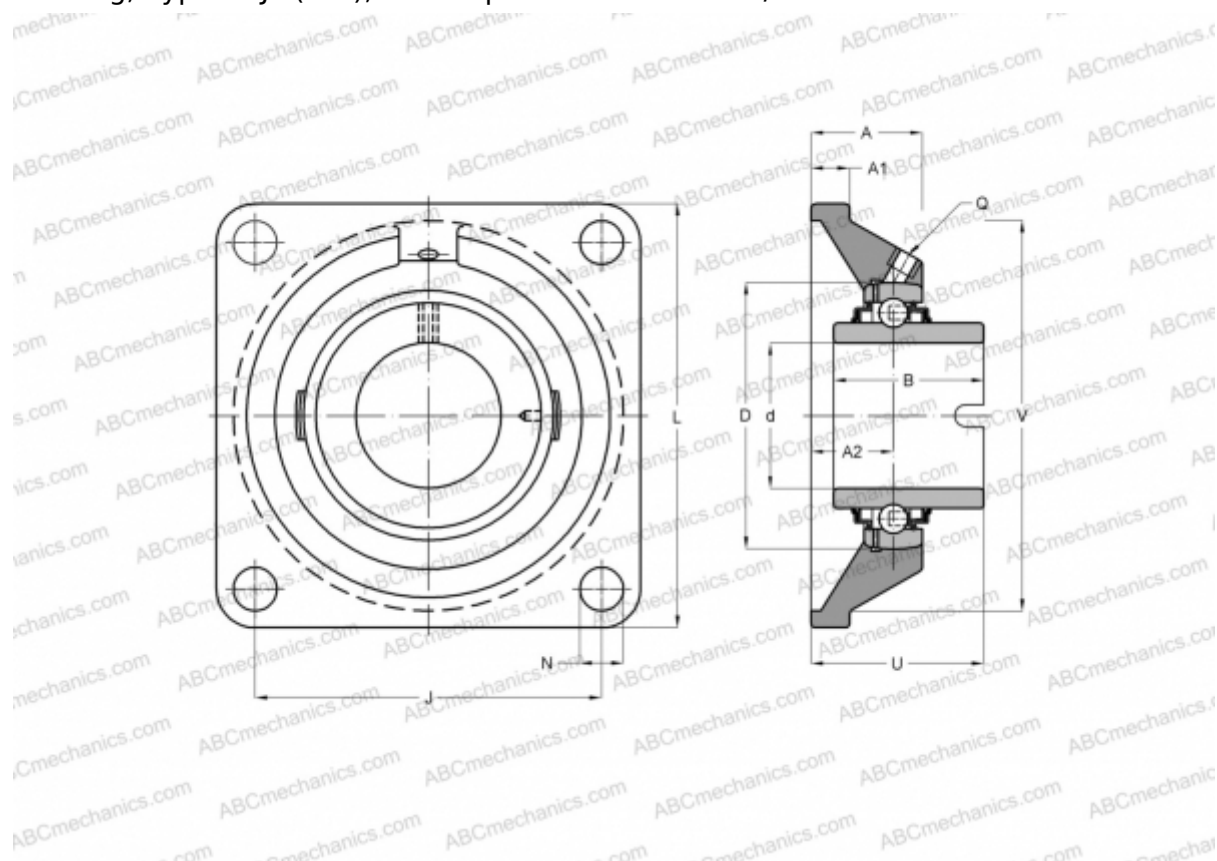


## RCJL30-N INA

Ball bearing units

TYPE: Housing units, Four-bolt flanged housing units, Cast iron housing, Non-locating bearing, drive slot on inner ring, Type RCJL (INA), for temperatures from -40°/+180°C



### Technical specification

#### DIMENSIONS, MM

|    |         |
|----|---------|
| d  | 30,000  |
| D  | 62,000  |
| B  | 36,500  |
| L  | 108,000 |
| A  | 29,000  |
| J  | 82,500  |
| A1 | 12,000  |
| A2 | 20,000  |
| N  | 11,500  |
| U  | 42,000  |
| V  | 85,000  |
| Q  | Rp1/8   |

**WEIGHT, KG** 1,080

|         |             |
|---------|-------------|
| Bearing | GLE30-KRR-B |
| Housing | GG.CJ06-N   |

#### MANUFACTURER

[INA](#)

#### CALCULATION DATA

|                              |           |
|------------------------------|-----------|
| Basic dynamic load rating, C | 19,500 kN |
| Basic static load rating, Co | 11,300 kN |
| Operating temperature min    | -40 °C    |
| Operating temperature max    | 180 °C    |