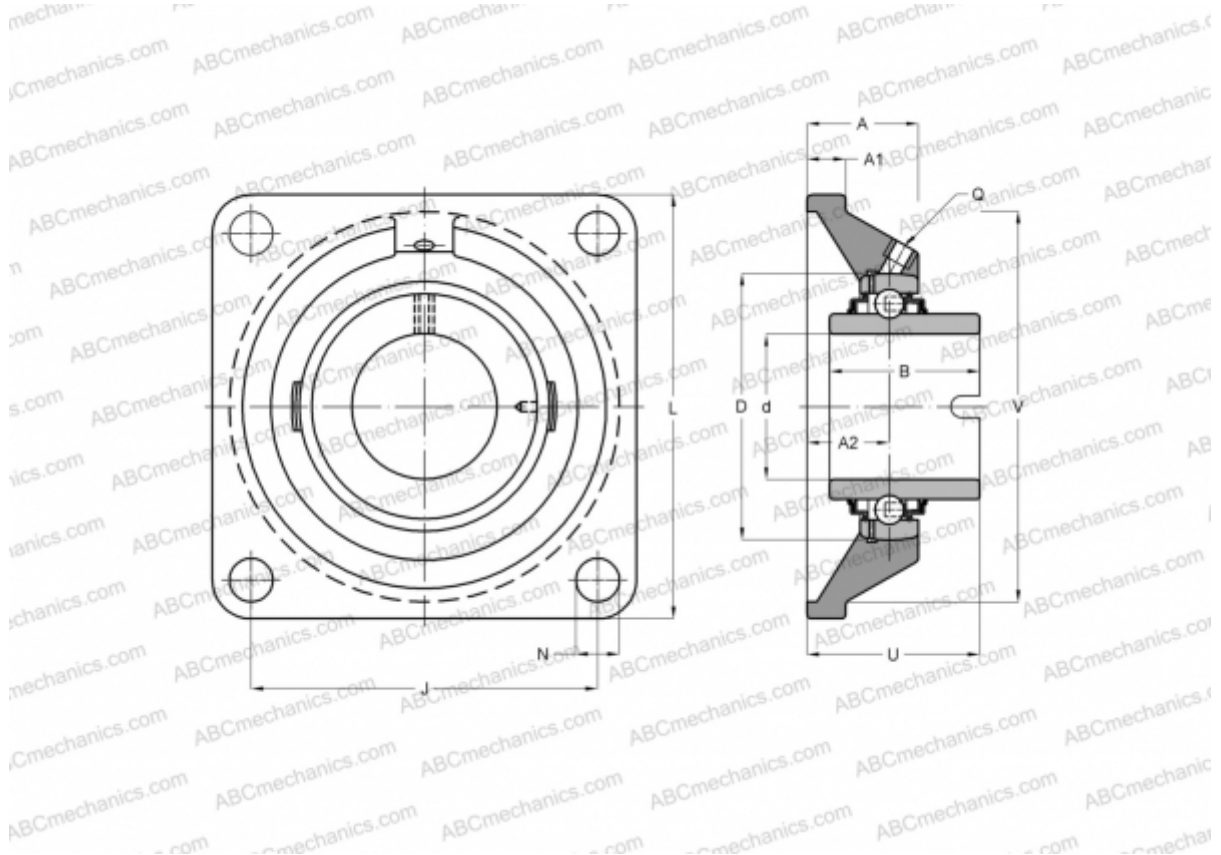


RCJL50-N INA

Ball bearing units

TYPE: Housing units, Four-bolt flanged housing units, Cast iron housing, Non-locating bearing, drive slot on inner ring, Type RCJL (INA), for temperatures from -40°/+180°C



Technical specification

DIMENSIONS, MM

d	50,000
D	90,000
B	49,200
L	143,000
A	39,000
J	111,000
A1	13,000
A2	28,000
N	18,000
U	58,200
V	125,000
Q	Rp1/8

WEIGHT, KG

2,290

Bearing

GLE50-KRR-B

Housing

GG.CJ10-N

MANUFACTURER

[INA](#)

CALCULATION DATA

Basic dynamic load rating, C	35,000 kN
Basic static load rating, Co	23,200 kN
Operating temperature min	-40 °C
Operating temperature max	180 °C