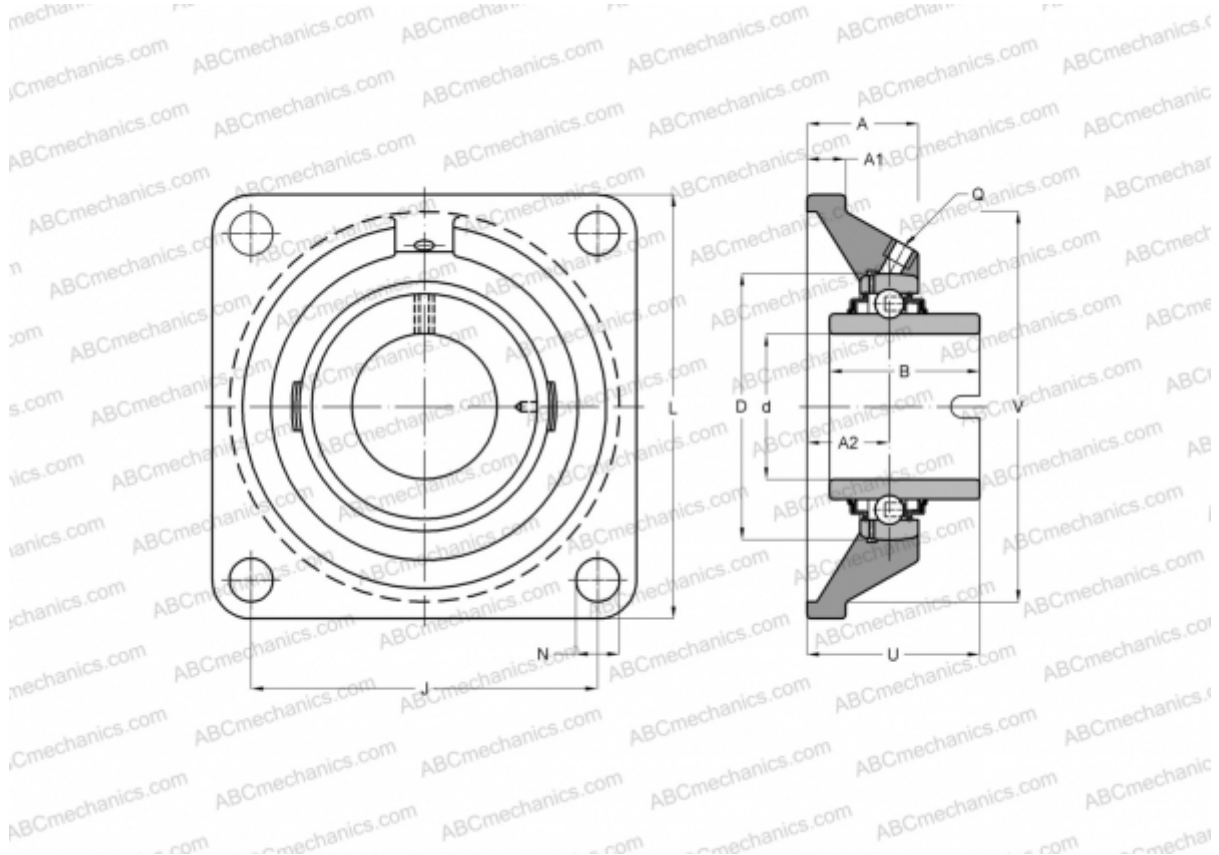


## RCJL70 INA

Ball bearing units

TYPE: Housing units, Four-bolt flanged housing units, Cast iron housing, Non-locating bearing, drive slot on inner ring, Type RCJL (INA), for temperatures from -40°/+180°C



### Technical specification

#### DIMENSIONS, MM

d	70,000
D	125,000
B	68,200
L	188,000
A	52,000
J	150,000
A1	18,000
A2	38,000
N	18,000
U	79,200
V	165,000
Q	Rp1/8

**WEIGHT, KG** 5,650

Bearing	GLE70-KRR-B
Housing	GG.CJ14

#### MANUFACTURER

[INA](#)

#### CALCULATION DATA

Basic dynamic load rating, C	62,000 kN
Basic static load rating, Co	44,000 kN
Operating temperature min	-40 °C
Operating temperature max	180 °C