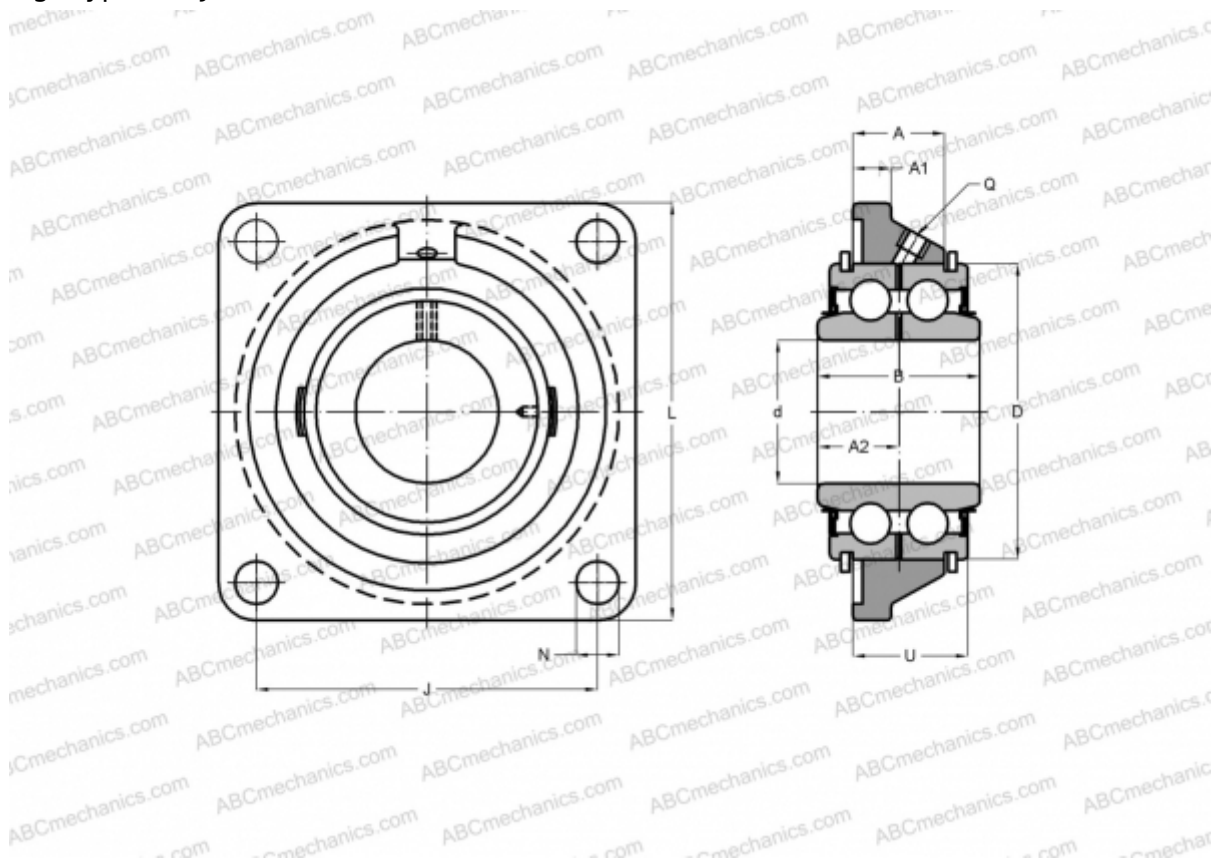


## PCCJ25 INA

Ball bearing units

TYPE: Housing units, Four-bolt flanged housing units, Cast iron housing, Double row angular contact ball bearing, Type PCCJ (INA)



### Technical specification

#### DIMENSIONS, MM

|    |        |
|----|--------|
| d  | 25,000 |
| D  | 52,000 |
| B  | 30,000 |
| L  | 95,000 |
| A  | 22,100 |
| J  | 70,000 |
| A1 | 12,000 |
| A2 | 11,700 |
| N  | 11,500 |
| U  | 26,700 |
| Q  | M6     |

**WEIGHT, KG** 0,790

Bearing G5205-2RS-N

Housing GG.CCJ05

#### MANUFACTURER

[INA](#)

#### CALCULATION DATA

|                              |           |
|------------------------------|-----------|
| Basic dynamic load rating, C | 21,600 kN |
| Basic static load rating, Co | 14,900 kN |