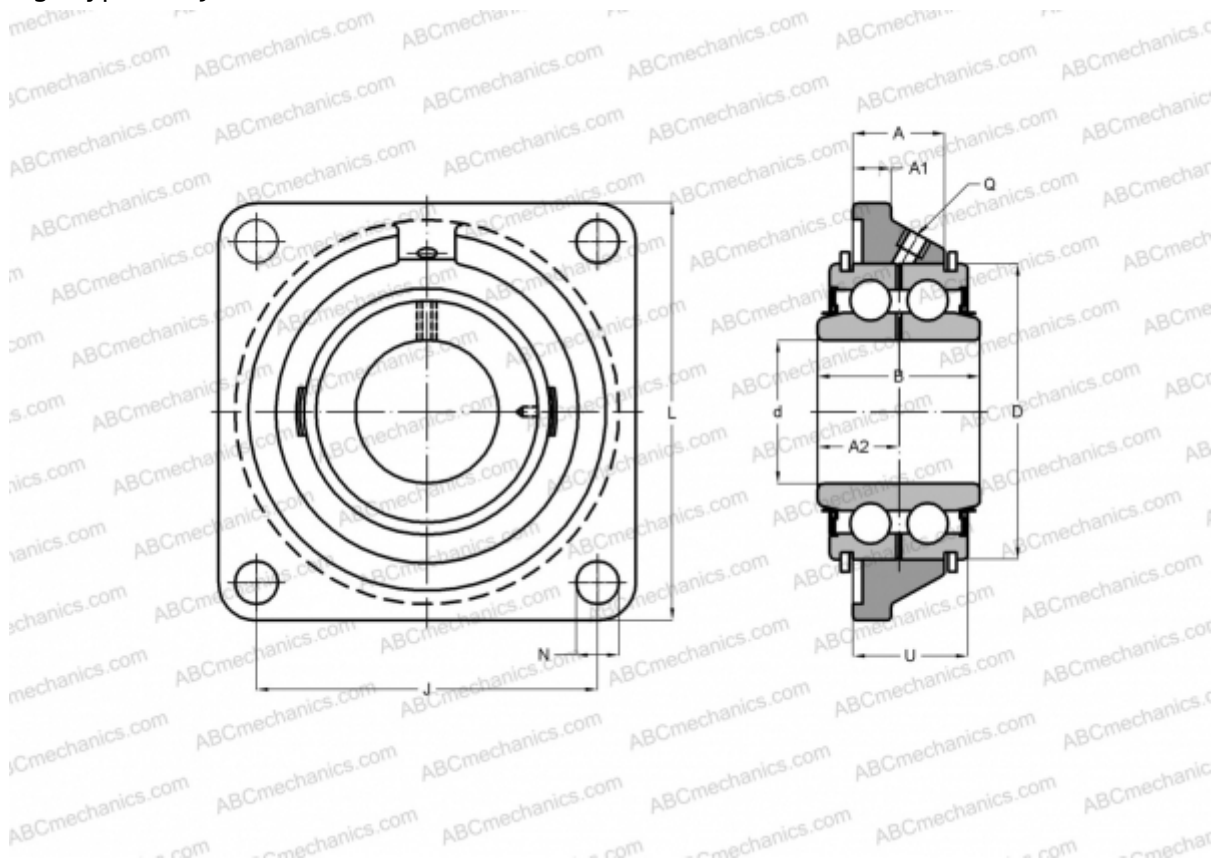


PCCJ35 INA

Ball bearing units

TYPE: Housing units, Four-bolt flanged housing units, Cast iron housing, Double row angular contact ball bearing, Type PCCJ (INA)



Technical specification

DIMENSIONS, MM

d	35,000
D	72,000
B	36,000
L	118,000
A	26,000
J	92,000
A1	14,000
A2	14,000
N	14,000
U	31,700
Q	M6

WEIGHT, KG 1,480

Bearing G5207-2RS-N

Housing

GG.CCJ07

MANUFACTURER

[INA](#)

CALCULATION DATA

Basic dynamic load rating, C	39,500 kN
Basic static load rating, Co	29,000 kN