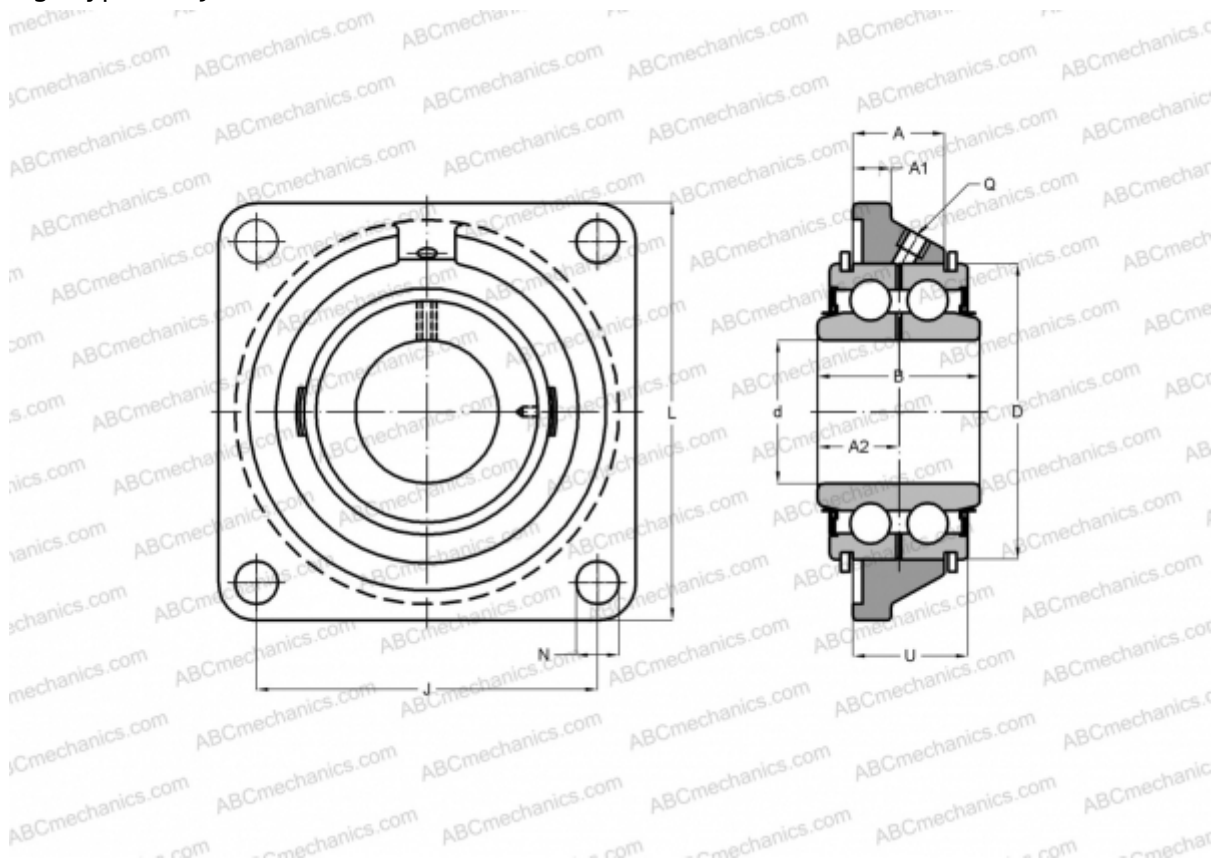


PCCJ40 INA

Ball bearing units

TYPE: Housing units, Four-bolt flanged housing units, Cast iron housing, Double row angular contact ball bearing, Type PCCJ (INA)



Technical specification

DIMENSIONS, MM

d	40,000
D	80,000
B	38,000
L	130,000
A	28,000
J	101,500
A1	14,000
A2	15,000
N	14,000
U	33,700
Q	M6

Housing

GG.CCJ08

MANUFACTURER

[INA](#)

CALCULATION DATA

Basic dynamic load rating, C	50,000 kN
Basic static load rating, Co	38,000 kN

WEIGHT, KG

1,800

Bearing

G5208-2RS-N