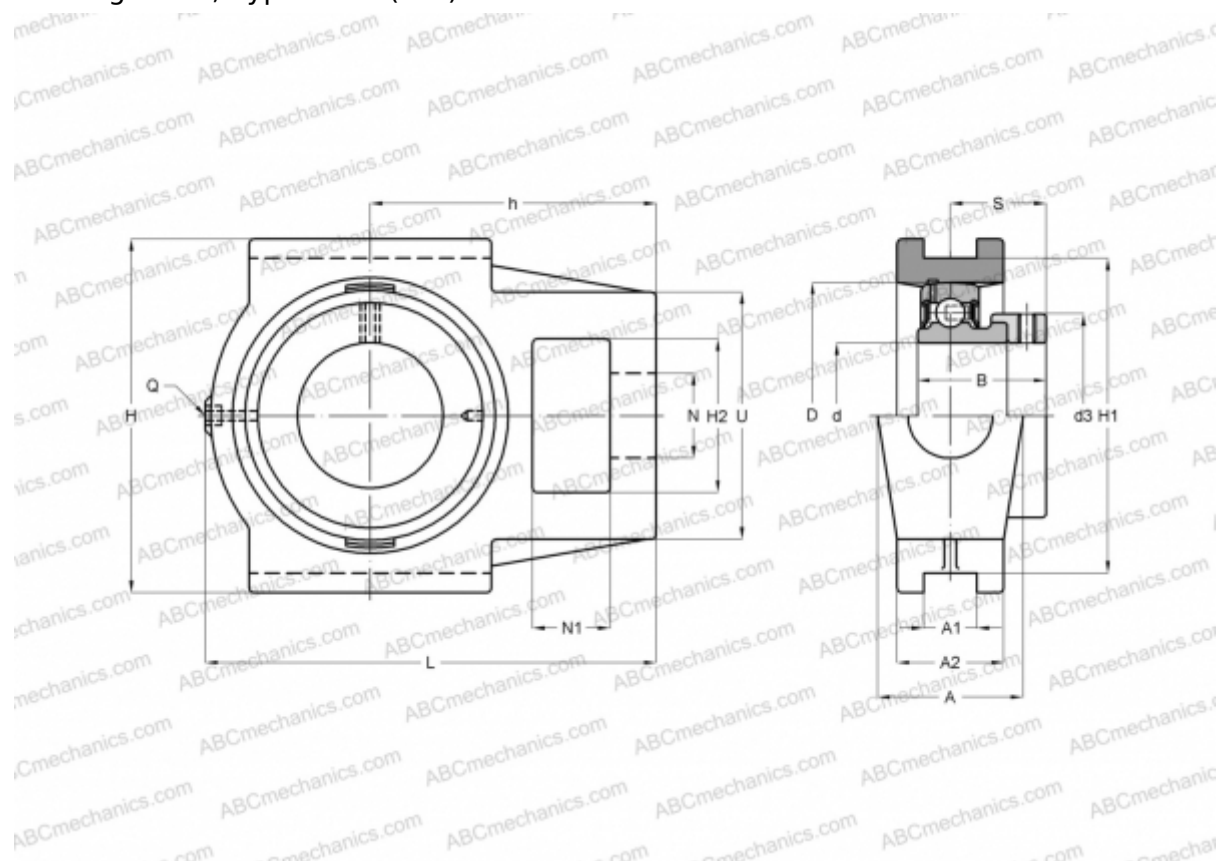


PTUE60 INA

Ball bearing units

TYPE: Housing units, Take-up housing units, Cast iron housing, Radial insert ball bearing with eccentric locking collar, Type PTUE (INA)



Technical specification

DIMENSIONS, MM

d	60,000
D	110,000
B	53,100
L	186,000
H	146,000
A	60,000
H2	63,500
A1	22,000
A2	44,000
H1	130,000
N	35,000
N1	32,000
S	39,600
d3	84,000
U	102,000

DIMENSIONS, MM

h	118,000
Q	Rp1/8

WEIGHT, KG

Bearing	GRAE60-NPP-B
Housing	GG.TUE12

MANUFACTURER

[INA](#)

CALCULATION DATA

Basic dynamic load rating, C	52,000 kN
Basic static load rating, Co	36,000 kN