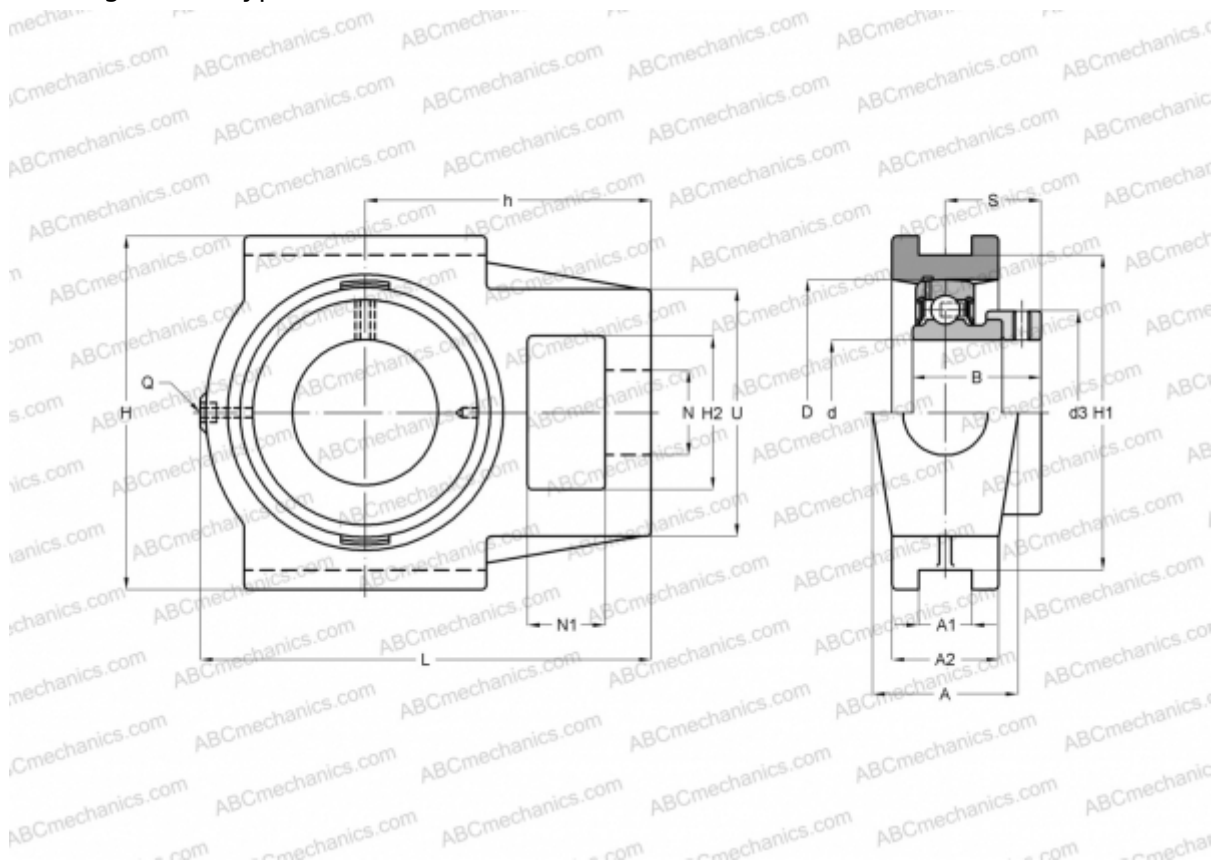


RTUE35 INA

Ball bearing units

TYPE: Housing units, Take-up housing units, Cast iron housing, Radial insert ball bearing with eccentric locking collar, Type RTUE (INA)



Technical specification

DIMENSIONS, MM

| | |
|----|---------|
| d | 35,000 |
| D | 72,000 |
| B | 51,300 |
| L | 131,500 |
| H | 102,000 |
| A | 40,000 |
| H2 | 36,500 |
| A1 | 12,000 |
| A2 | 30,000 |
| H1 | 89,000 |
| N | 22,000 |
| N1 | 18,000 |
| S | 32,500 |
| d3 | 51,000 |
| U | 64,000 |

DIMENSIONS, MM

| | |
|---|--------|
| h | 80,000 |
| Q | Rp1/8 |

WEIGHT, KG

| | |
|---------|------------|
| Bearing | 1,800 |
| Housing | GE35-KRR-B |
| | GG.TUE07 |

MANUFACTURER

[INA](#)

CALCULATION DATA

| | |
|------------------------------|-----------|
| Basic dynamic load rating, C | 25,500 kN |
| Basic static load rating, Co | 15,300 kN |