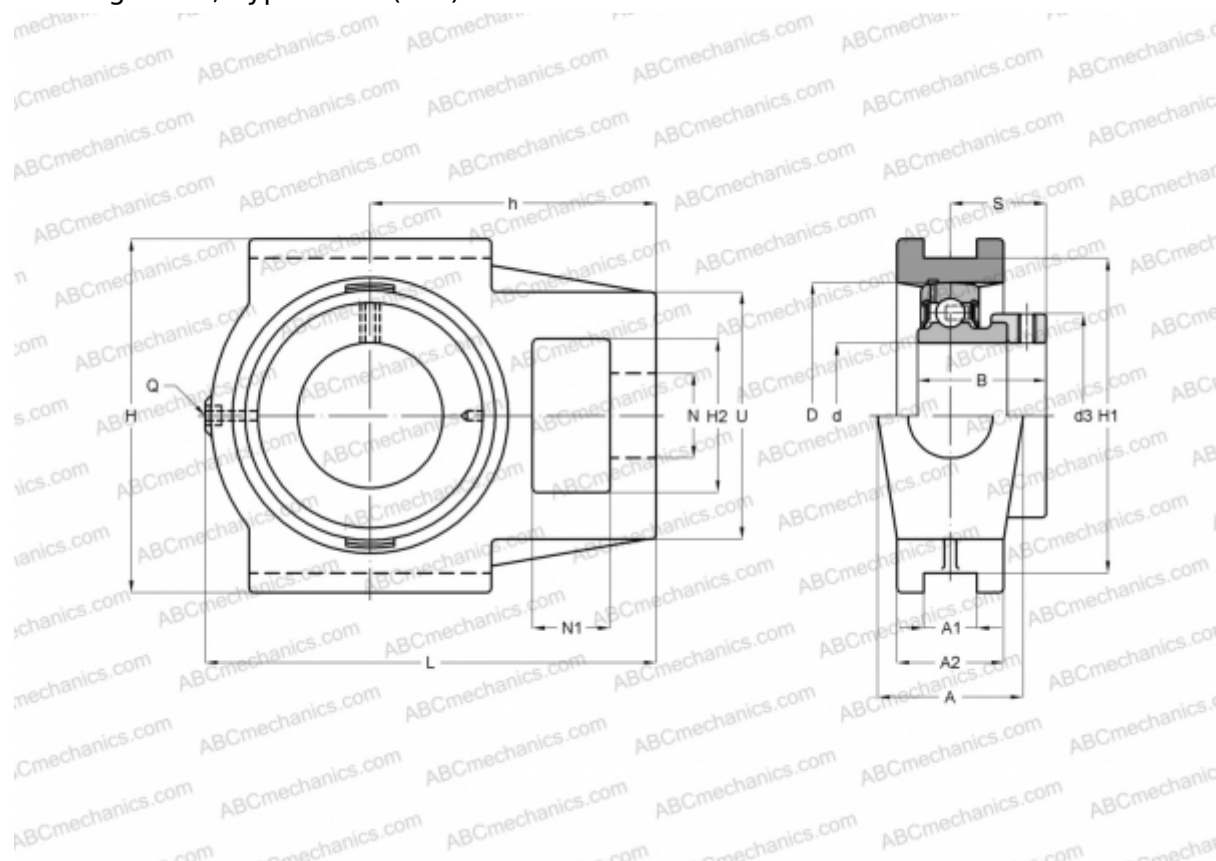


## RTUE45 INA

Ball bearing units

TYPE: Housing units, Take-up housing units, Cast iron housing, Radial insert ball bearing with eccentric locking collar, Type RTUE (INA)



### Technical specification

#### DIMENSIONS, MM

d	45,000
D	85,000
B	56,500
L	141,000
H	115,000
A	50,000
H2	49,000
A1	16,000
A2	35,000
H1	102,000
N	29,000
N1	20,000
S	35,100
d3	63,000
U	82,000

#### DIMENSIONS, MM

h	88,000
Q	Rp1/8

#### WEIGHT, KG

Bearing	GE45-KRR-B
Housing	GG.TUE09

#### MANUFACTURER

[INA](#)

#### CALCULATION DATA

Basic dynamic load rating, C	32,500 kN
Basic static load rating, Co	20,400 kN