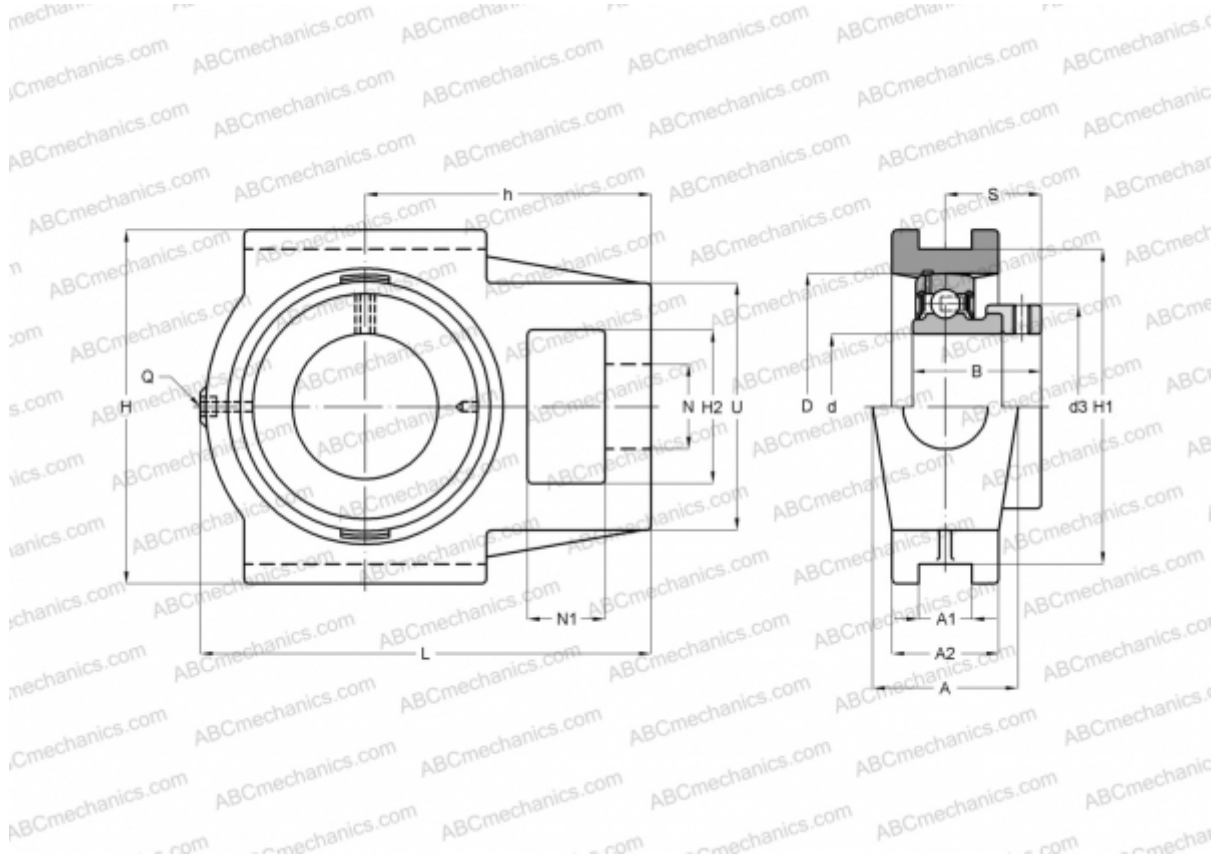


RTUE65-214 INA

Ball bearing units

TYPE: Housing units, Take-up housing units, Cast iron housing, Radial insert ball bearing with eccentric locking collar, Type RTUE (INA)



Technical specification

DIMENSIONS, MM

d	65,000
D	125,000
B	66,000
L	214,000
H	166,000
A	70,000
H2	70,000
A1	25,000
A2	50,000
H1	151,000
N	41,000
N1	35,000
S	44,500
d3	96,000
U	110,000

DIMENSIONS, MM

h	135,000
Q	Rp1/8

WEIGHT, KG

Bearing	GE65-214-KRR-
Housing	GG.TUE13/14
7,460	

MANUFACTURER

[INA](#)

CALCULATION DATA

Basic dynamic load rating, C	62,000 kN
Basic static load rating, Co	44,000 kN