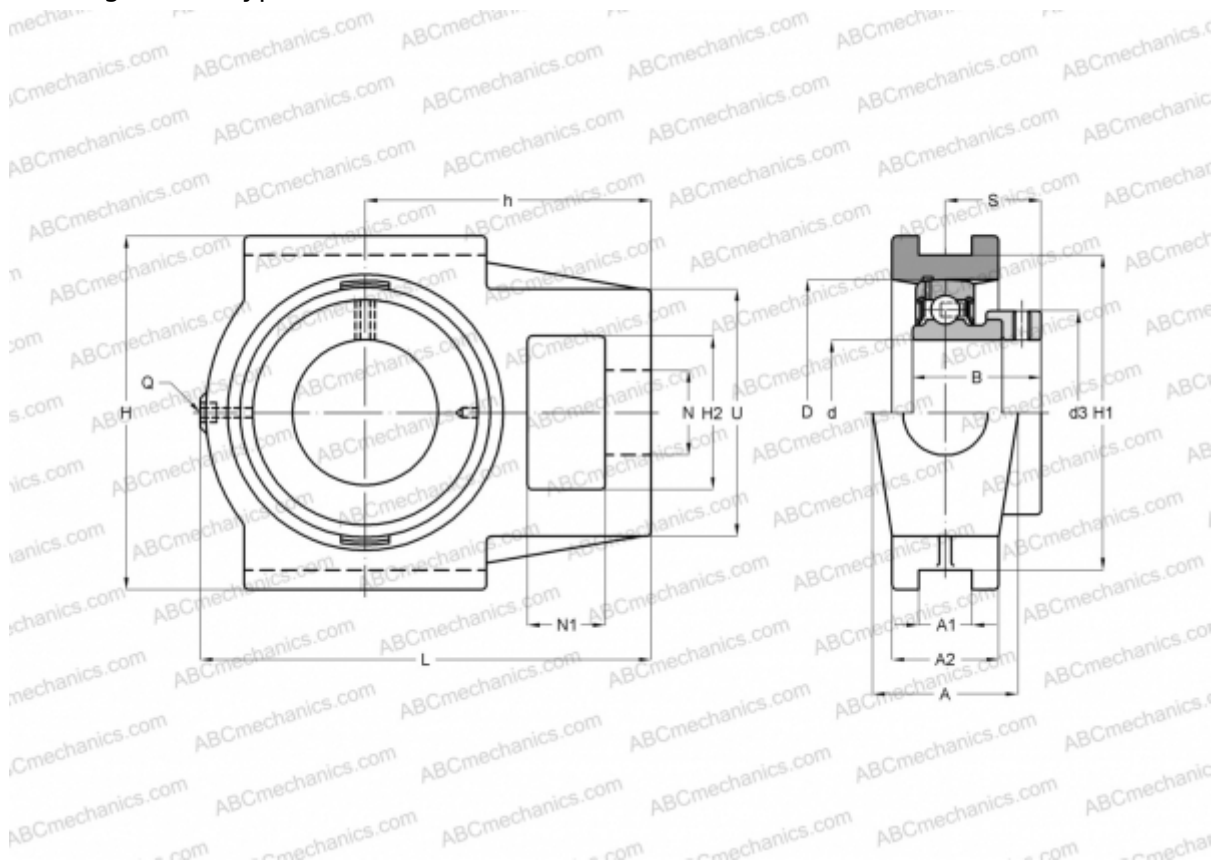


## RTUE100 INA

Ball bearing units

TYPE: Housing units, Take-up housing units, Cast iron housing, Radial insert ball bearing with eccentric locking collar, Type RTUE (INA)



### Technical specification

#### DIMENSIONS, MM

d	100,000
D	180,000
B	75,000
L	295,000
H	240,000
A	90,000
H2	80,000
A1	28,000
A2	60,000
H1	215,000
N	47,000
N1	40,000
S	49,500
d3	132,000
U	130,000

#### DIMENSIONS, MM

h	180,000
Q	Rp1/8

#### WEIGHT, KG

Bearing	GE100-KRR-B
Housing	GG.TUE20
<b>WEIGHT, KG</b>	<b>14,550</b>

#### MANUFACTURER

[INA](#)

#### CALCULATION DATA

Basic dynamic load rating, C	122,000 kN
Basic static load rating, Co	93,000 kN