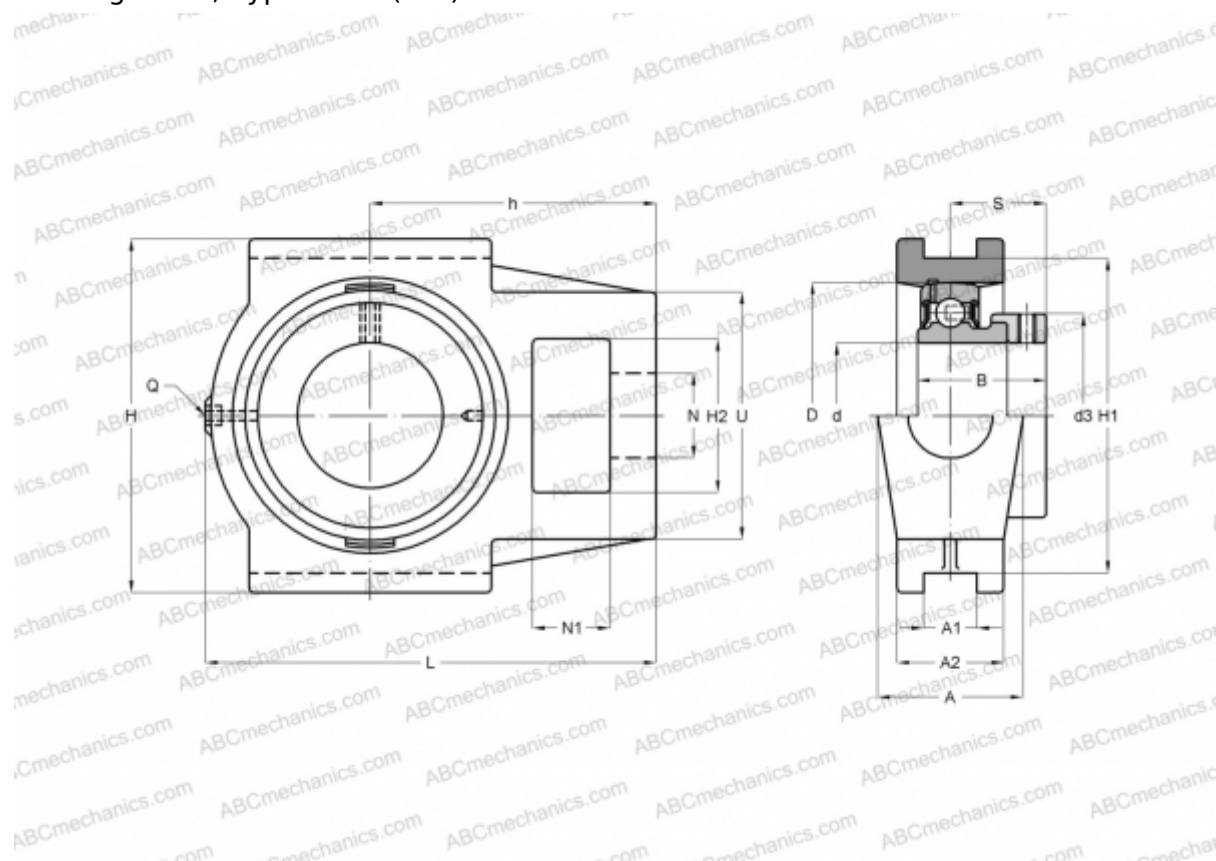


RTUE120 INA

Ball bearing units

TYPE: Housing units, Take-up housing units, Cast iron housing, Radial insert ball bearing with eccentric locking collar, Type RTUE (INA)



Technical specification

DIMENSIONS, MM

d	120,000
D	215,000
B	81,000
L	345,000
H	285,000
A	100,000
H2	95,000
A1	32,000
A2	70,000
H1	255,000
N	55,000
N1	45,000
S	52,500
d3	152,000
U	150,000

DIMENSIONS, MM

h	210,000
Q	Rp1/8

WEIGHT, KG

Bearing	23,890
Housing	GE120-KRR-B
	GG.TUE24

MANUFACTURER

[INA](#)

CALCULATION DATA

Basic dynamic load rating, C	155,000 kN
Basic static load rating, Co	131,000 kN