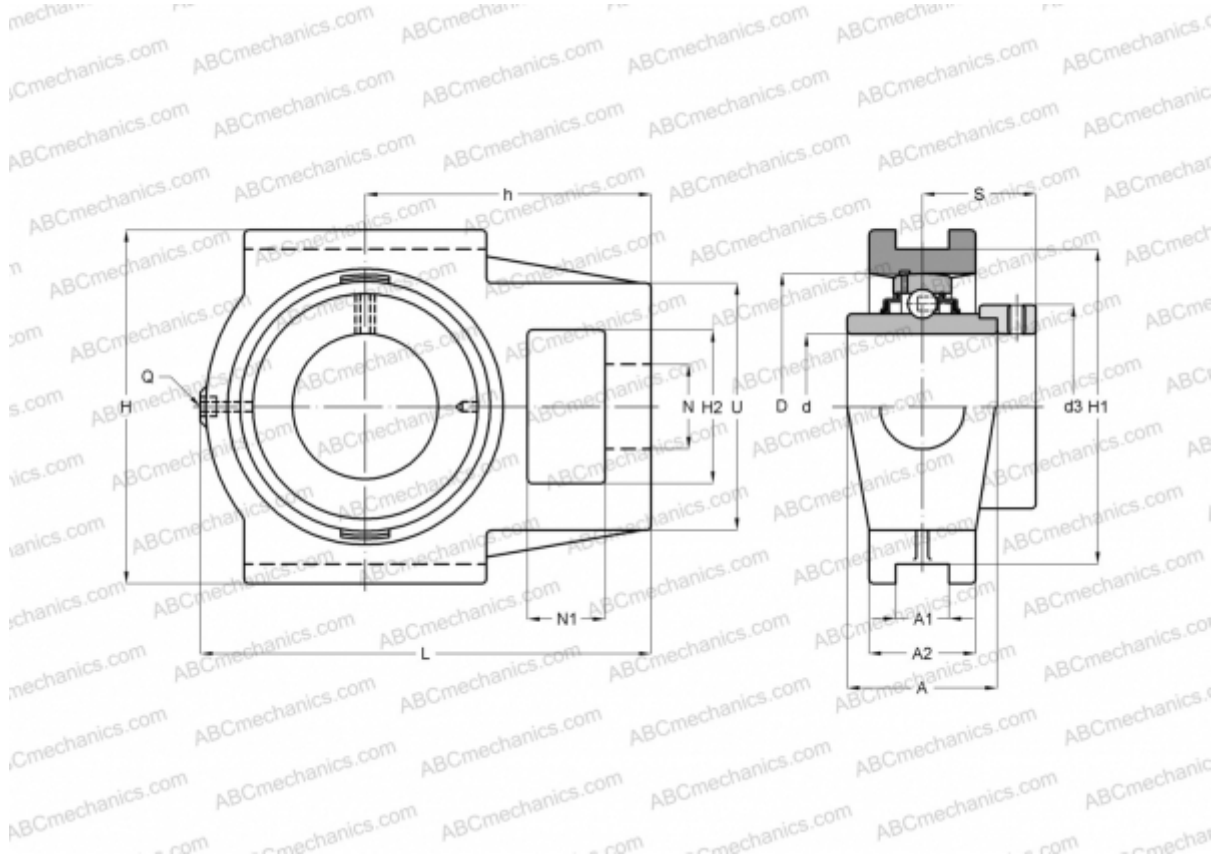


RTUEO90 INA

Ball bearing units

TYPE: Housing units, Take-up housing units, Cast iron housing, Radial insert ball bearing with eccentric locking collar, Type RTUEO (INA)



Technical specification

DIMENSIONS, MM

d	90,000
D	190,000
B	101,000
L	312,000
H	255,000
A	110,000
H2	106,000
A1	32,000
A2	66,000
H1	228,000
N	57,000
N1	46,000
S	65,500
d3	132,000
U	160,000

DIMENSIONS, MM

h	192,000
Q	Rp1/8

WEIGHT, KG

Bearing	GNE90-KRR-B
Housing	GG.TUEO18

MANUFACTURER

[INA](#)

CALCULATION DATA

Basic dynamic load rating, C	143,000 kN
Basic static load rating, Co	107,000 kN