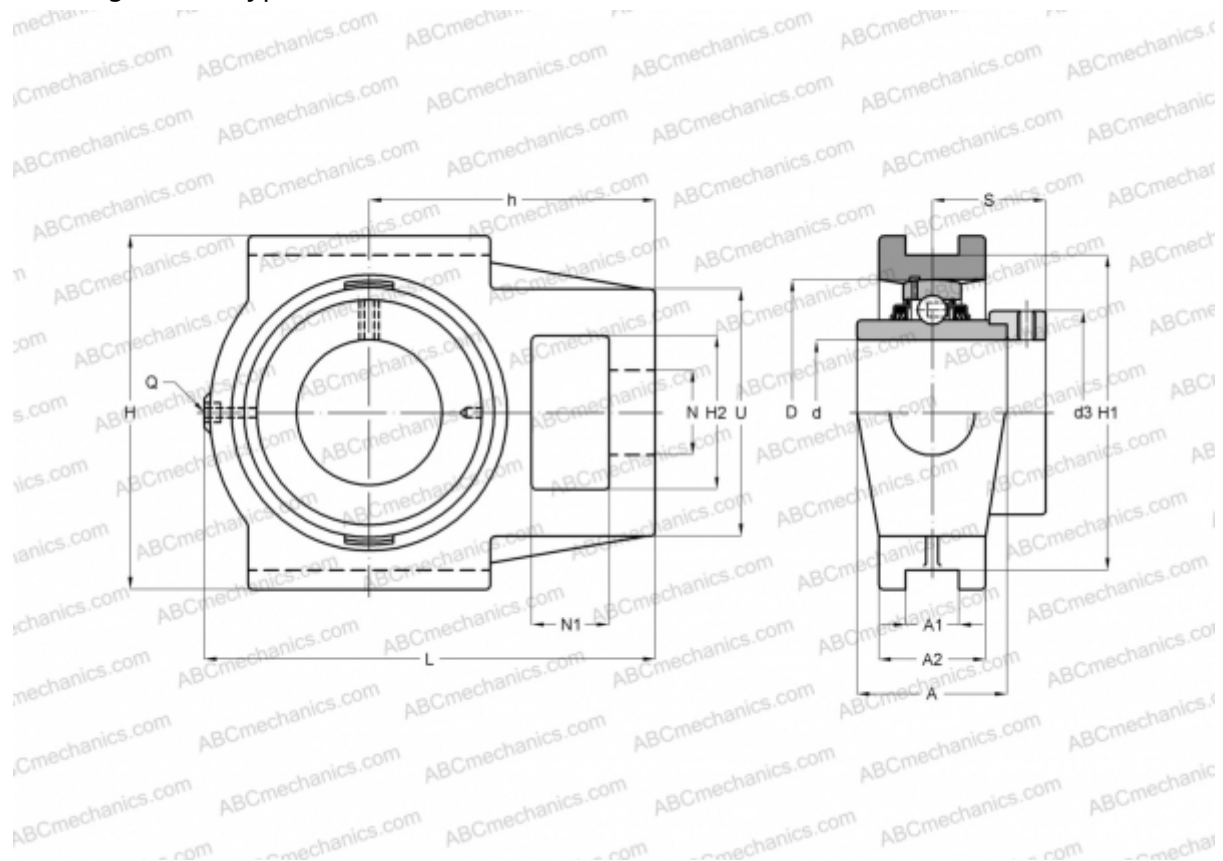


TTUE25 INA

Ball bearing units

TYPE: Housing units, Take-up housing units, Cast iron housing, Radial insert ball bearing with eccentric locking collar, Type TTUE (INA)



Technical specification

DIMENSIONS, MM

| | |
|----|--------|
| d | 25,000 |
| D | 52,000 |
| B | 44,500 |
| L | 98,500 |
| H | 90,000 |
| A | 37,000 |
| H2 | 32,000 |
| A1 | 12,000 |
| A2 | 25,000 |
| H1 | 76,000 |
| N | 19,000 |
| N1 | 18,000 |
| S | 27,000 |
| d3 | 37,500 |
| U | 51,000 |

DIMENSIONS, MM

| | |
|---|--------|
| h | 62,000 |
| Q | Rp1/8 |

WEIGHT, KG

| | |
|---------|------------|
| Bearing | 0,910 |
| Housing | GE25-KTT-B |
| | GG.TUE05 |

MANUFACTURER

[INA](#)

CALCULATION DATA

| | |
|------------------------------|-----------|
| Basic dynamic load rating, C | 14,000 kN |
| Basic static load rating, Co | 7,800 kN |