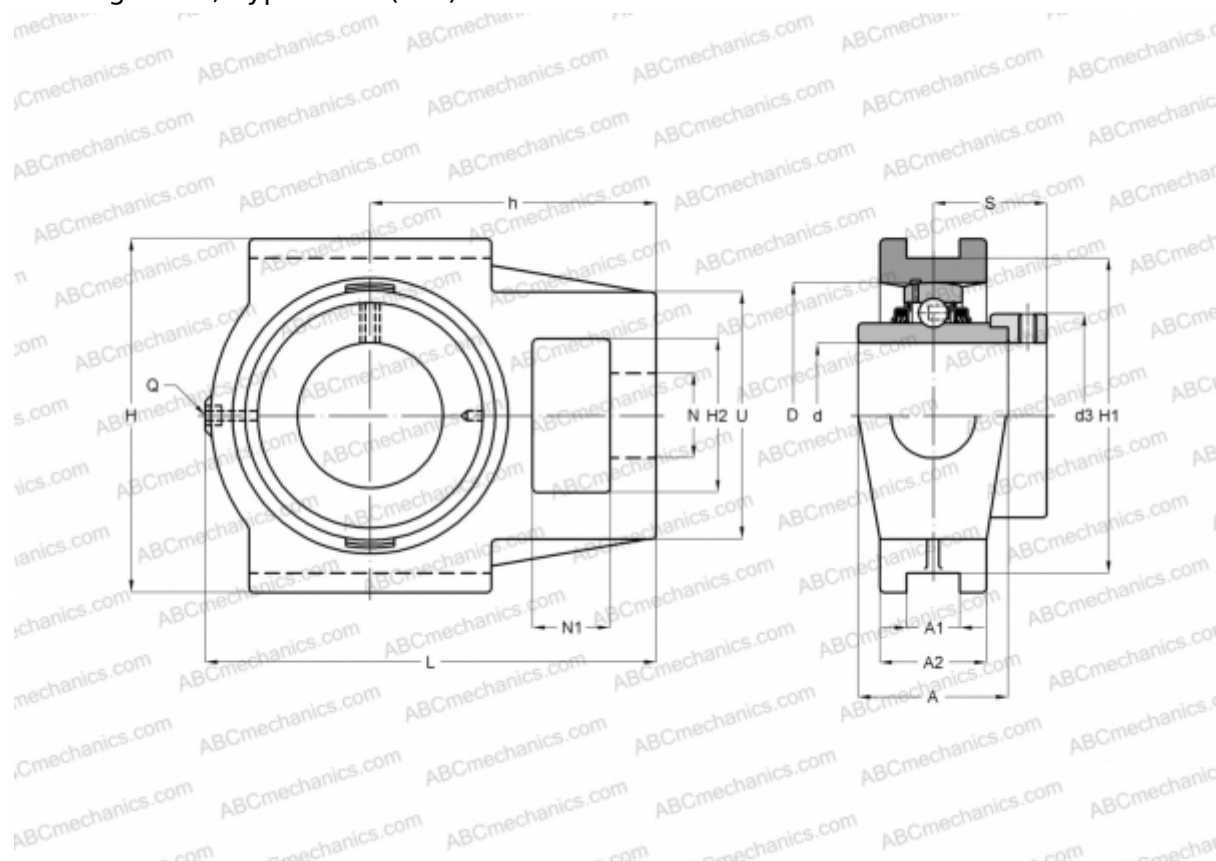


## TTUE55 INA

Ball bearing units

TYPE: Housing units, Take-up housing units, Cast iron housing, Radial insert ball bearing with eccentric locking collar, Type TTUE (INA)



### Technical specification

#### DIMENSIONS, MM

|    |         |
|----|---------|
| d  | 55,000  |
| D  | 100,000 |
| B  | 71,400  |
| L  | 169,000 |
| H  | 145,000 |
| A  | 60,000  |
| H2 | 63,500  |
| A1 | 22,000  |
| A2 | 42,000  |
| H1 | 130,000 |
| N  | 35,000  |
| N1 | 26,000  |
| S  | 43,600  |
| d3 | 76,000  |
| U  | 102,000 |

#### DIMENSIONS, MM

|   |         |
|---|---------|
| h | 104,000 |
| Q | Rp1/8   |

#### WEIGHT, KG

|         |            |
|---------|------------|
| Bearing | 4,720      |
| Housing | GE55-KTT-B |
|         | GG.TUE11   |

#### MANUFACTURER

[INA](#)

#### CALCULATION DATA

|                              |           |
|------------------------------|-----------|
| Basic dynamic load rating, C | 43,500 kN |
| Basic static load rating, Co | 29,000 kN |