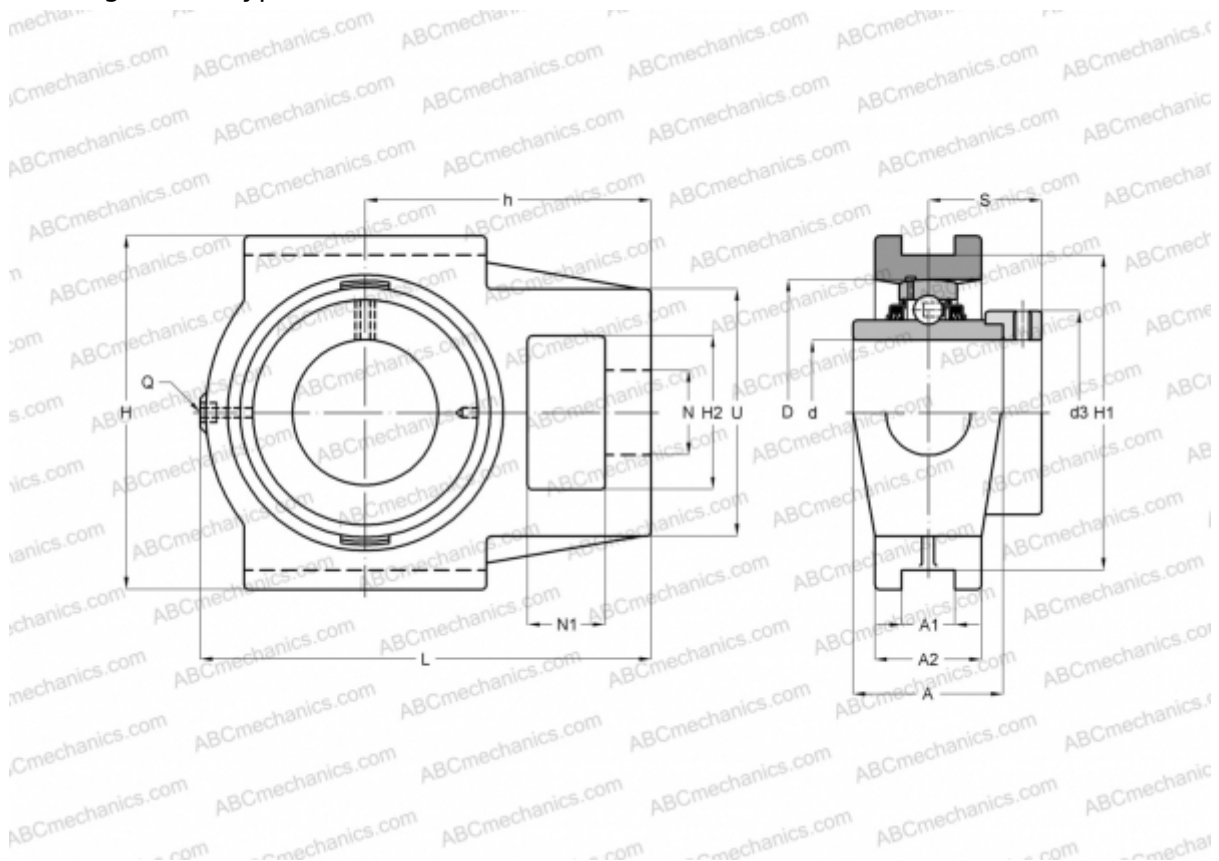


## TTUE60 INA

Ball bearing units

TYPE: Housing units, Take-up housing units, Cast iron housing, Radial insert ball bearing with eccentric locking collar, Type TTUE (INA)



### Technical specification

#### DIMENSIONS, MM

d	60,000
D	110,000
B	77,900
L	186,000
H	146,000
A	60,000
H2	63,500
A1	22,000
A2	44,000
H1	130,000
N	35,000
N1	32,000
S	46,900
d3	84,000
U	102,000

#### DIMENSIONS, MM

h	118,000
Q	Rp1/8

#### WEIGHT, KG

Bearing	4,760
Housing	GE60-KTT-B
	GG.TUE12

#### MANUFACTURER

[INA](#)

#### CALCULATION DATA

Basic dynamic load rating, C	52,000 kN
Basic static load rating, Co	36,000 kN