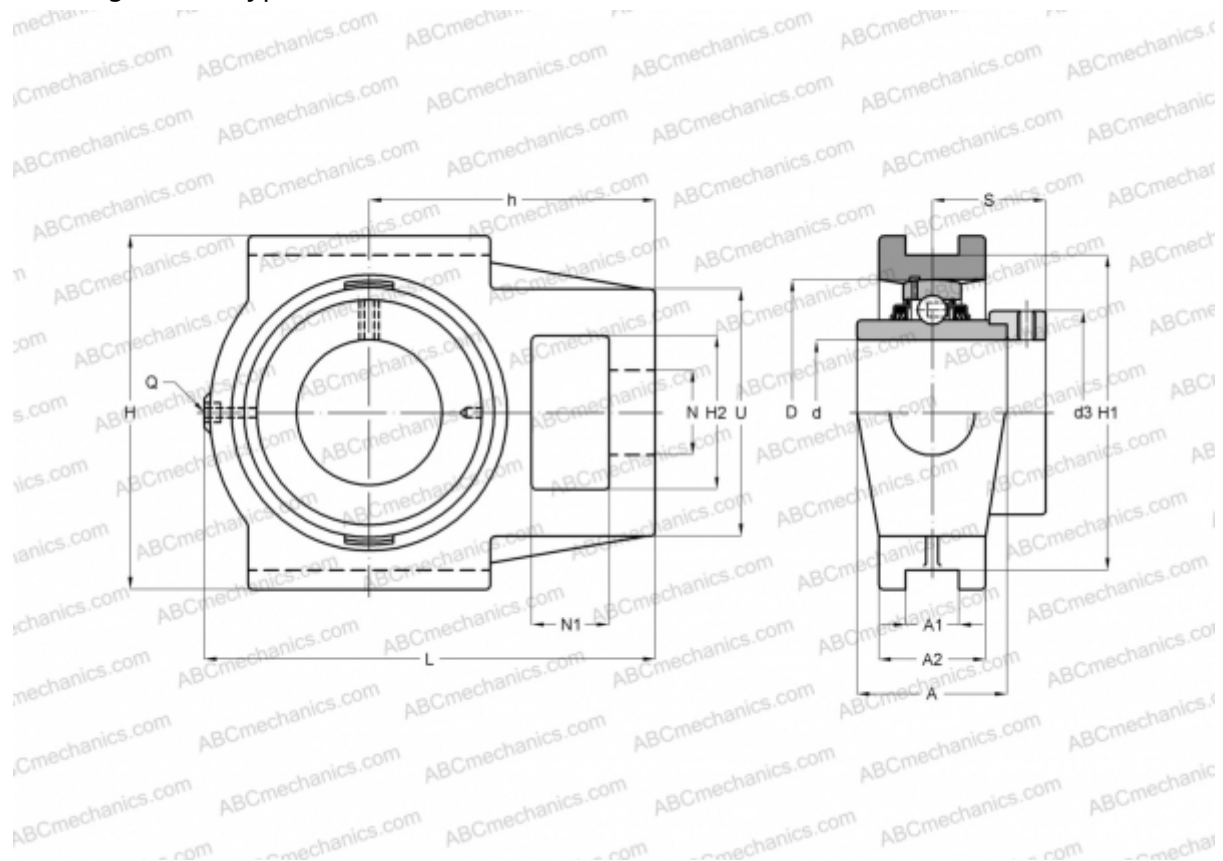


TTUE75 INA

Ball bearing units

TYPE: Housing units, Take-up housing units, Cast iron housing, Radial insert ball bearing with eccentric locking collar, Type TTUE (INA)



Technical specification

DIMENSIONS, MM

d	75,000
D	130,000
B	67,000
L	214,000
H	166,000
A	70,000
H2	70,000
A1	25,000
A2	50,000
H1	151,000
N	41,000
N1	35,000
S	45,500
d3	100,000
U	110,000

DIMENSIONS, MM

h	135,000
Q	Rp1/8

WEIGHT, KG

Bearing	7,130
Housing	GE75-KTT-B
	GG.TUE15

MANUFACTURER

[INA](#)

CALCULATION DATA

Basic dynamic load rating, C	62,000 kN
Basic static load rating, Co	44,500 kN